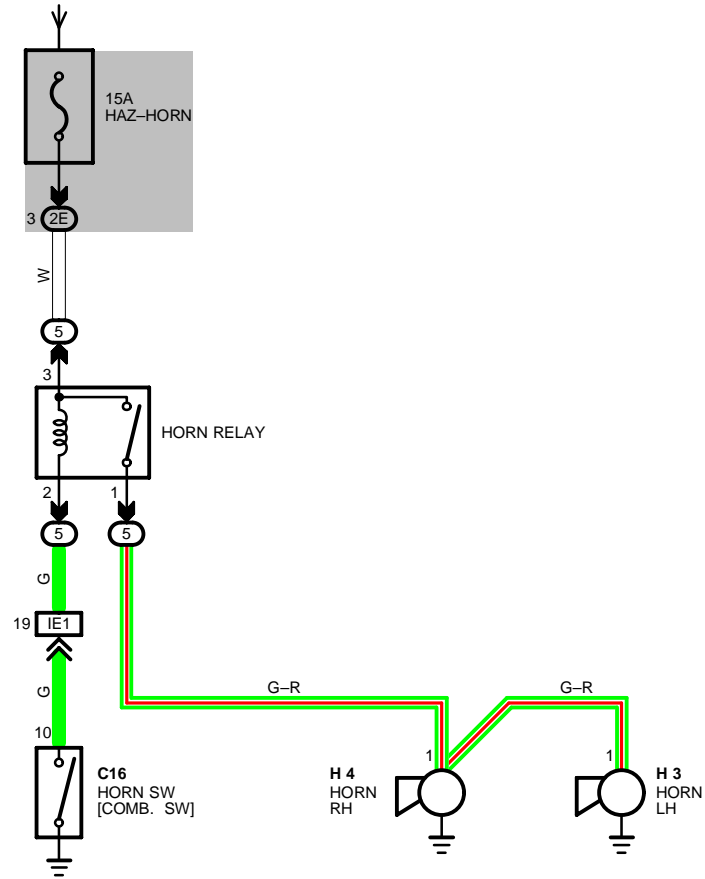


FROM POWER SOURCE SYSTEM (SEE PAGE 52)



SERVICE HINTS

HORN RELAY

(5) 3- (5) 1 : CLOSED WITH HORN SW ON

○ : PARTS LOCATION

CODE	SEE PAGE	CODE	SEE PAGE	CODE	SEE PAGE
C16	28	H 3	26 (5S-FE), 27 (4A-FE)	H 4	26 (5S-FE), 27 (4A-FE)

□ : RELAY BLOCKS

CODE	SEE PAGE	RELAY BLOCKS (RELAY BLOCK LOCATION)
5	24	R/B NO. 5 (ENGINE COMPARTMENT FRONT RIGHT)

○ : JUNCTION BLOCK AND WIRE HARNESS CONNECTOR

CODE	SEE PAGE	JUNCTION BLOCK AND WIRE HARNESS (CONNECTOR LOCATION)
2E	20	ENGINE ROOM MAIN WIRE AND J/B NO.2 (NEAR THE BATTERY)

□ : CONNECTOR JOINING WIRE HARNESS AND WIRE HARNESS

CODE	SEE PAGE	JOINING WIRE HARNESS AND WIRE HARNESS (CONNECTOR LOCATION)
IE1	36	ENGINE ROOM MAIN WIRE AND COWL WIRE (LEFT KICK PANEL)

H 3, H 4 BLACK



C16 BLACK

