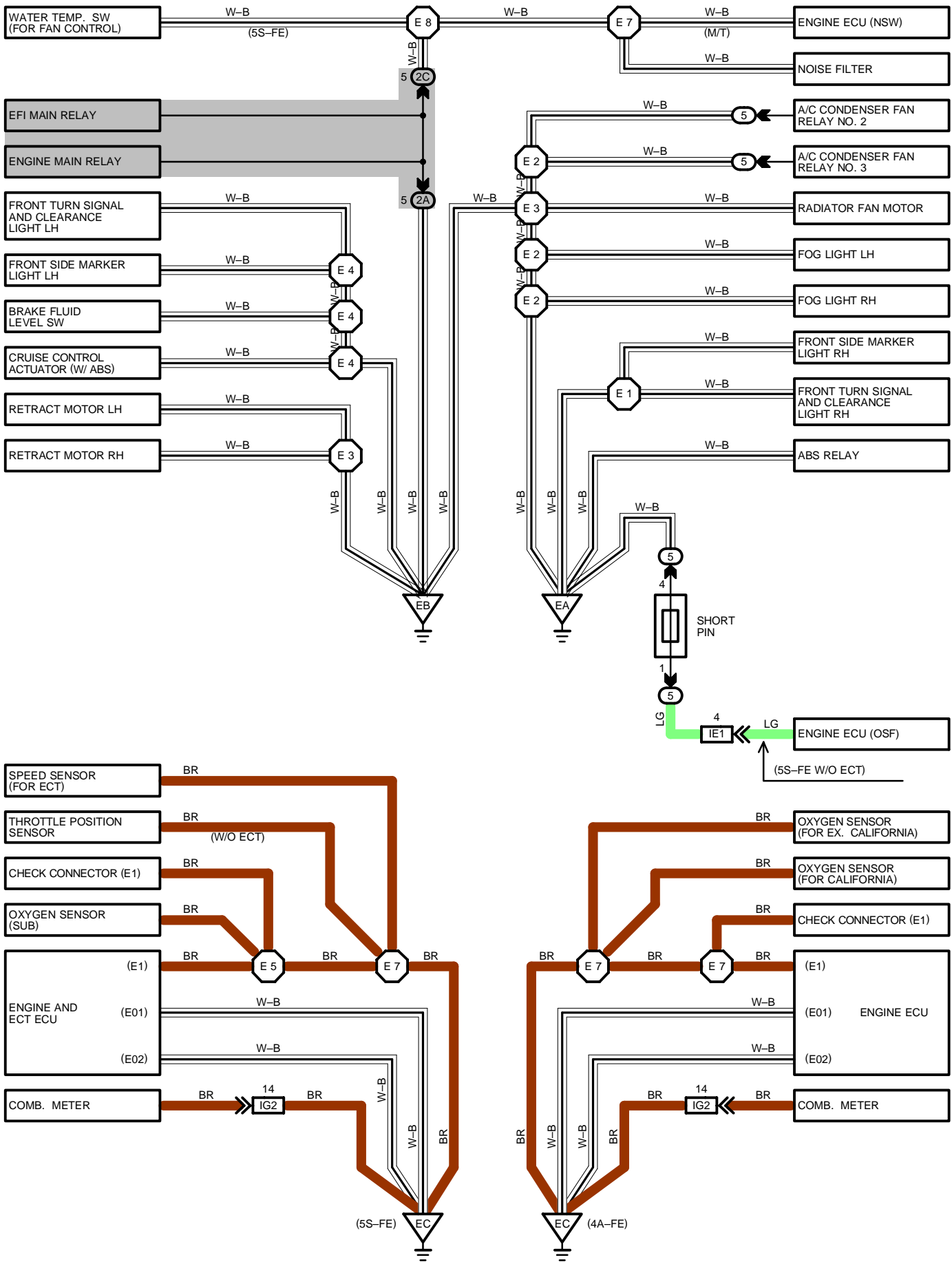


GROUND POINT



GROUND POINT

: PARTS LOCATION

CODE	SEE PAGE	CODE	SEE PAGE	CODE	SEE PAGE
J 6	29				

: RELAY BLOCKS

CODE	SEE PAGE	RELAY BLOCKS (RELAY BLOCK LOCATION)
2	23	R/B NO. 2 (LEFT KICK PANEL)
4	24	R/B NO. 4 (RIGHT KICK PANEL)
5	24	R/B NO. 5 (ENGINE COMPARTMENT FRONT RIGHT)

: JUNCTION BLOCK AND WIRE HARNESS CONNECTOR

CODE	SEE PAGE	JUNCTION BLOCK AND WIRE HARNESS (CONNECTOR LOCATION)
1A	18	COWL WIRE AND J/B NO. 1 (LEFT KICK PANEL)
1E		
2A	20	ENGINE ROOM MAIN WIRE AND J/B NO. 2 (NEAR THE BATTERY)
2C	20	ENGINE WIRE AND J/B NO. 2 (NEAR THE BATTERY)
3A	22	COWL WIRE AND J/B NO. 3 (BEHIND COMBINATION METER)
3B		
3C		

: CONNECTOR JOINING WIRE HARNESS AND WIRE HARNESS

CODE	SEE PAGE	JOINING WIRE HARNESS AND WIRE HARNESS (CONNECTOR LOCATION)
IC1	36	FRONT DOOR LH WIRE AND COWL WIRE (LEFT KICK PANEL)
IE1	36	ENGINE ROOM MAIN WIRE AND COWL WIRE (LEFT KICK PANEL)
IF1	36	FLOOR WIRE AND COWL WIRE (LEFT KICK PANEL)
IG1	36	ENGINE WIRE AND COWL WIRE (UNDER THE ENGINE ECU)
IG2		
II1	36	COWL WIRE AND CONSOLE BOX WIRE (INSTRUMENT PANEL CENTER)
II3		
IJ1		
IJ2	36	COWL WIRE AND A/C NO. 1 WIRE (BEHIND THE GLOVE BOX)
IJ3	36	FRONT DOOR RH WIRE AND COWL WIRE (RIGHT KICK PANEL)
IK1		
IQ1		
IQ4		
BL1	38 (L/B)	FLOOR WIRE AND FRAME WIRE (LEFT SIDE OF FRONT FLOOR PANEL)
	40 (C/P)	
BM1	38 (L/B)	FRAME WIRE AND SEAT WIRE (UNDER THE DRIVER'S SEAT)
	40 (C/P)	
BN1	38 (L/B)	BACK DOOR NO. 1 WIRE AND FLOOR WIRE (LEFT SIDE OF PACKAGE TRAY TRIM)
BO1	38 (L/B)	BACK DOOR NO. 1 WIRE AND BACK DOOR NO. 1 SUB WIRE (BACK DOOR UPPER LEFT)
BP1	38 (L/B)	FLOOR WIRE AND LUGGAGE ROOM WIRE (LEFT QUARTER PANEL CENTER)

: GROUND POINTS

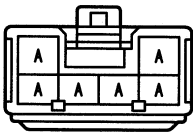
CODE	SEE PAGE	GROUND POINTS LOCATION
EA	32 (5S-FE)	FRONT RIGHT FENDER
	34 (4A-FE)	
EB	32 (5S-FE)	FRONT LEFT FENDER
	34 (4A-FE)	
EC	32 (5S-FE)	INTAKE MANIFOLD
	34 (4A-FE)	
ID	36	LEFT KICK PANEL
IE	36	INSTRUMENT PANEL BRACE LH
IF	36	INSTRUMENT PANEL BRACE RH
IG	36	R/B NO. 4 SET BOLT
BH	38 (L/B)	ROOF LEFT
BI	38 (L/B)	UNDER THE LEFT CENTER PILLAR
BJ	40 (C/P)	RIGHT REAR PILLAR (C/P)
BK	38 (L/B)	BACK DOOR RIGHT (L/B)
BL	38 (L/B)	BACK PANEL CENTER
	40 (C/P)	



: SPLICE POINTS

CODE	SEE PAGE	WIRE HARNESS WITH SPLICE POINTS	CODE	SEE PAGE	WIRE HARNESS WITH SPLICE POINTS
E 1	32 (5S-FE)	ENGINE ROOM MAIN WIRE	I11	36	A/C NO. 2 WIRE
	34 (4A-FE)		I12	36	A/C NO. 1 WIRE
E 2	32 (5S-FE)		B 2	38 (L/B)	FRONT DOOR LH WIRE
	34 (4A-FE)			40 (C/P)	
E 3	32 (5S-FE)		B 3	38 (L/B)	FRONT DOOR RH WIRE
	34 (4A-FE)			40 (C/P)	
E 4	32 (5S-FE)		B 4	38 (L/B)	FRONT DOOR LH WIRE
	34 (4A-FE)			40 (C/P)	
E 5	32 (5S-FE)		B 5	38 (L/B)	ROOF WIRE
	34 (4A-FE)			40 (C/P)	
E 7	32 (5S-FE)	B 6	38 (L/B)		
	34 (4A-FE)		40 (C/P)		
E 8	32 (5S-FE)	B 8	38 (L/B)	FRAME WIRE	
I 1	36		40 (C/P)		
I 2		B 9	38 (L/B)	FLOOR WIRE	
I 3			B10		40 (C/P)
I 4		B11		38 (L/B)	LUGGAGE ROOM WIRE
I 5			40 (C/P)		
I 6					
I 8	36	COWL WIRE			

J 6



(HINT:SEE PAGE 7)