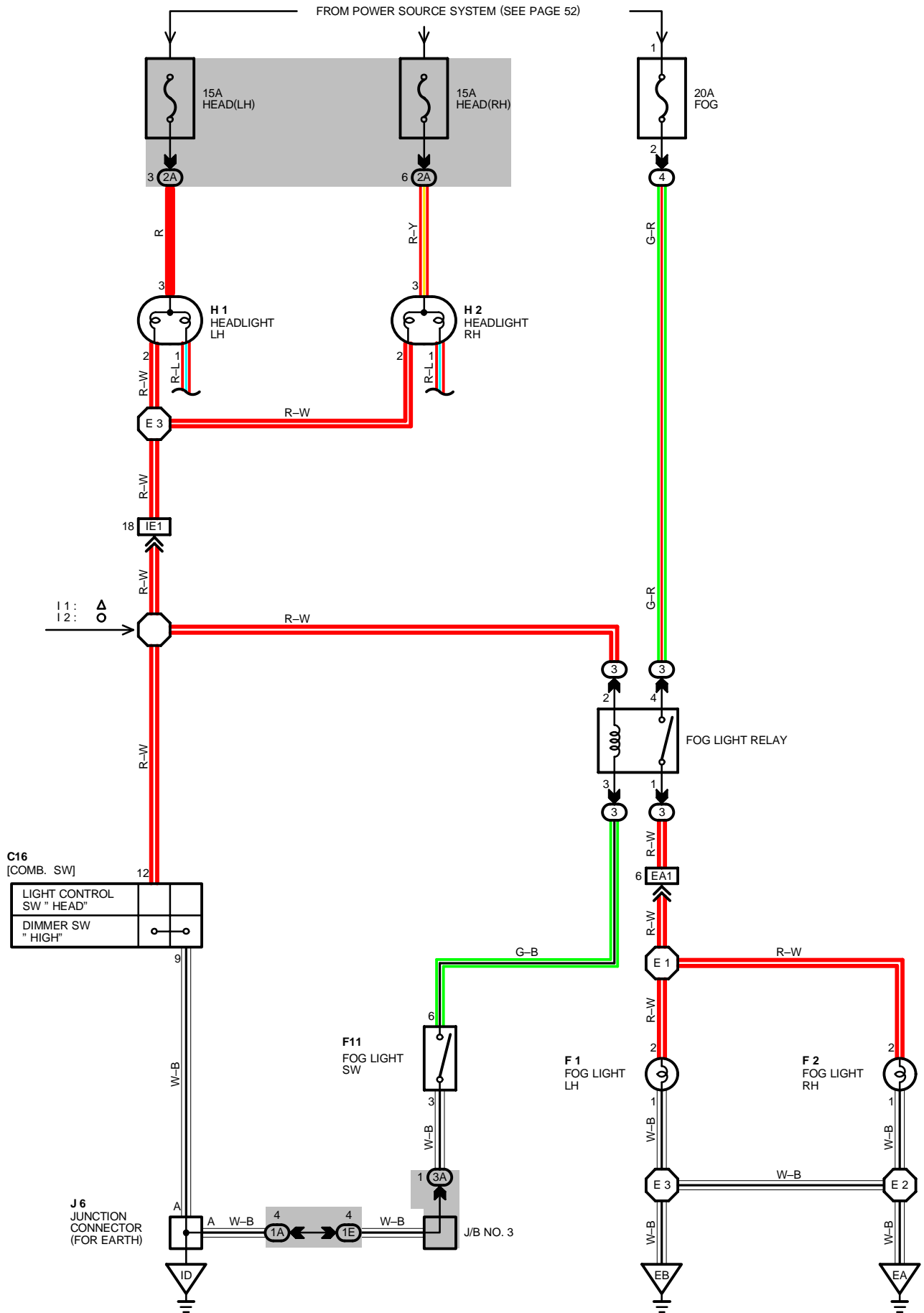


FOG LIGHT (USA)

▲ W/ CRUISE CONTROL AND ABS
 ○ EX. W/ CRUISE CONTROL AND ABS



SERVICE HINTS

FOG LIGHT RELAY

(3) 1-(3) 4 : CLOSED WITH LIGHT CONTROL SW AT **HEAD** POSITION, DIMMER SW AT **LOW** POSITION AND FOG LIGHT SW ON

○ : PARTS LOCATION

CODE	SEE PAGE	CODE	SEE PAGE	CODE	SEE PAGE
C16	28	F11	29	J 6	29
F 1	26 (5S-FE), 27 (4A-FE)	H 1	26 (5S-FE), 27 (4A-FE)	R10	29
F 2	26 (5S-FE), 27 (4A-FE)	H 2	26 (5S-FE), 27 (4A-FE)		

○ : RELAY BLOCKS

CODE	SEE PAGE	RELAY BLOCKS (RELAY BLOCK LOCATION)
3	23	R/B NO. 3 (RIGHT KICK PANEL)
4	23	R/B NO. 4 (RIGHT KICK PANEL)

○ : JUNCTION BLOCK AND WIRE HARNESS CONNECTOR

CODE	SEE PAGE	JUNCTION BLOCK AND WIRE HARNESS (CONNECTOR LOCATION)
1A	18	COWL WIRE AND J/B NO. 1 (LEFT KICK PANEL)
1E		
2A	18	ENGINE ROOM MAIN WIRE AND J/B NO. 2 (NEAR THE BATTERY)
3A	18	COWL WIRE AND J/B NO. 3 (BEHIND COMBINATION METER)

□ : CONNECTOR JOINING WIRE HARNESS AND WIRE HARNESS

CODE	SEE PAGE	JOINING WIRE HARNESS AND WIRE HARNESS (CONNECTOR LOCATION)
EA1	32 (5S-FE)	COWL WIRE AND ENGINE ROOM MAIN WIRE (FRONT SIDE OF RIGHT FRONT FENDER)
	34 (4A-FE)	
IE1	36	ENGINE ROOM MAIN WIRE AND COWL WIRE (LEFT KICK PANEL)

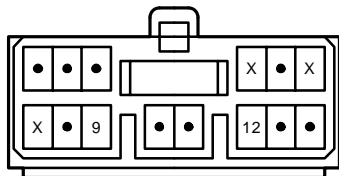
▽ : GROUND POINTS

CODE	SEE PAGE	GROUND POINTS LOCATION
EA	32 (5S-FE)	FRONT RIGHT FENDER
	34 (4A-FE)	
EB	32 (5S-FE)	FRONT LEFT FENDER
	34 (4A-FE)	
ID	36	LEFT KICK PANEL

○ : SPLICE POINTS

CODE	SEE PAGE	WIRE HARNESS WITH SPLICE POINTS	CODE	SEE PAGE	WIRE HARNESS WITH SPLICE POINTS
E 1	32 (5S-FE)	ENGINE ROOM MAIN WIRE	E 3	32 (5S-FE)	ENGINE ROOM MAIN WIRE
	34 (4A-FE)			34 (4A-FE)	
E 2	32 (5S-FE)		I 2	36	COWL WIRE
	34 (4A-FE)				

C16 BLACK



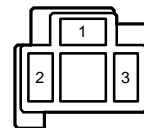
F 1, F 2



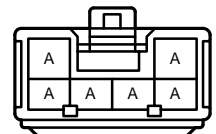
F11 BLACK



H 1, H 2 BROWN



J 6



(HINT : SEE PAGE 7)

R10

