

STEERING COLUMN SWITCHES

1994 Toyota Celica

1994 ACCESSORIES & EQUIPMENT
 Toyota Motor Sales, U.S.A., Inc. - Steering Column Switches
 Celica

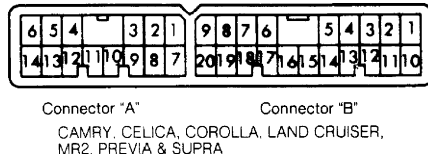
* PLEASE READ THIS FIRST *

WARNING: Are equipped with a driver-side air bag. Before servicing steering column, disable air bag system to prevent air bag deployment. To disable air bag system, turn ignition switch to LOCK position. Disconnect negative battery cable. Wait at least 90 seconds to allow back-up power supply to discharge. For more information, see AIR BAG RESTRAINT SYSTEM article in the ACCESSORIES/SAFETY EQUIPMENT section.

TESTING

COMBINATION SWITCH

NOTE: Combination switch includes switches for headlights, turn signals and windshield wipers. For testing, see appropriate component procedure.



93J84664

Fig. 1: Identifying Combination Switch Connector Terminals
 Courtesy of Toyota Motor Sales, U.S.A., Inc.

HEADLIGHT, DIMMER & PASSING SWITCHES

With headlight switch in specified position, check continuity between specified terminals of combination switch connector. See HEADLIGHT SWITCH CONTINUITY TEST table and/or DIMMER & PASSING SWITCHES CONTINUITY TEST table. See Fig. 1. If continuity is not as specified, replace headlight switch or turn signal/dimmer switch as necessary.

HEADLIGHT SWITCH CONTINUITY TEST TABLE

Application & Switch Position	Terminals (1)	Continuity
Off	A2, A11, A13 & B20	No
* (Next Position)	A11 & B20	Yes
Tail	A2, A11 & B20	Yes
Head	A2, A11 & A13	Yes

(1) - See Fig. 1.

DIMMER & PASSING SWITCHES CONTINUITY TEST TABLE

Application &	Terminals	Continuity
---------------	-----------	------------

Switch Position

Celica (1) (1)

(1) - See HEADLIGHT SWITCH CONTINUITY TEST table.

HEADLIGHT CONTROL RELAY

Remove relay. See HEADLIGHT CONTROL RELAY LOCATION table.
 Apply battery voltage across specified terminals of relay connector.
 See HEADLIGHT CONTROL RELAY TEST table. See Fig. 2. Check continuity
 between other specified terminals. If there is no continuity, replace
 relay.

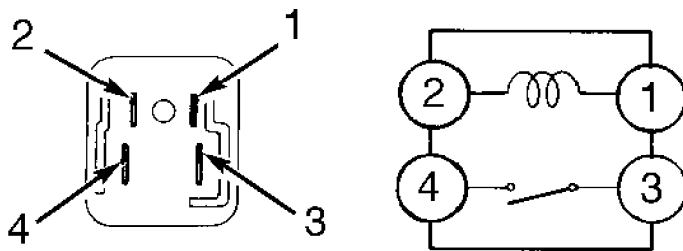
HEADLIGHT CONTROL RELAY LOCATION TABLE

Application	Location
Celica	Left Side Engine Compartment, In Relay Block No. 2

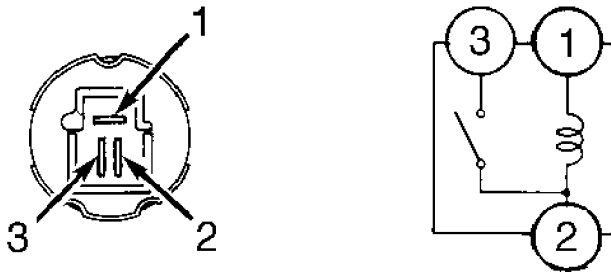
HEADLIGHT CONTROL RELAY TEST TABLE

Application	Apply Voltage To These Terminals (1)	Continuity Between These Terminals (1)
Celica	1 & 2	3 & 4

(1) - See Fig. 2.



EXCEPT MR2



MR2

93B02170

Fig. 2: Identifying Headlight Control Relay Terminals
 Courtesy of Toyota Motor Sales, U.S.A., Inc.

TAILLIGHT CONTROL RELAY

Remove relay. See TAILLIGHT CONTROL RELAY LOCATION table. Apply battery voltage across specified terminals of relay connector. See TAILLIGHT CONTROL RELAY TEST table. See Fig. 3. Check continuity between other specified terminals. If there is no continuity, replace relay.

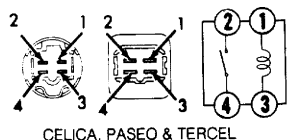
TAILLIGHT CONTROL RELAY LOCATION TABLE

Application	Location
Celica	Behind Left Kick Panel, In Relay Block No. 1

TAILLIGHT CONTROL RELAY TEST TABLE

Application	Apply Voltage To These Terminals (1)	Continuity Between These Terminals (1)
Celica	1 & 3	2 & 4

(1) - See Fig. 3.



93D84668

Fig. 3: Identifying Taillight Control Relay Terminals
 Courtesy of Toyota Motor Sales, U.S.A., Inc.

HORN SWITCH

1) Disconnect combination switch connector. See Fig. 6. With horn pad pressed and held down (horn ON), check continuity between appropriate wire terminal of combination switch connector. See Fig. 1. See wiring diagram in WIRING DIAGRAM.

2) If there is no continuity, repair wiring or replace components as necessary. Components include horn pad and contact pin, slip ring and spiral cable (vehicles with air bag). If there is continuity, check for open in horn circuit, faulty horn or faulty horn relay. See HORN RELAY LOCATION table.

HORN RELAY LOCATION TABLE

Application	Location
Celica	Right Side Engine Compartment, In Relay Block No. 5

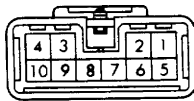
IGNITION SWITCH

Disconnect ignition switch connector. With ignition switch in specified position, check continuity between specified terminals of ignition switch connector. See IGNITION SWITCH CONTINUITY TEST table. See Fig. 4. If continuity is not as specified, replace ignition switch.

IGNITION SWITCH CONTINUITY TEST TABLE

Application & Switch Position	Terminals (1)	Continuity
Lock	2, 3, 4, 6, 7, 9 & 10	No
Accessory	3 & 4	Yes
On	2, 3 & 4; 9 & 10	Yes
Start	2, 4 & 7; 6, 9 & 10	Yes

(1) - See Fig. 4.



CAMRY, CELICA,
LAND CRUISER,
MR2 & PREVIA

93184671

Fig. 4: Identifying Ignition Switch Connector Terminals
Courtesy of Toyota Motor Sales, U.S.A., Inc.

TURN SIGNAL SWITCH

Disconnect combination switch connector. See Fig. 6. With turn signal switch in specified position, check continuity between specified terminals of combination switch connector. See TURN SIGNAL SWITCH CONTINUITY TEST table. See Fig. 1. If continuity is not as specified, replace turn signal switch.

TURN SIGNAL SWITCH CONTINUITY TEST TABLE

Application & Switch Position	Terminals (1)	Continuity
Left	A1 & A5	Yes
Neutral	A1, A5 & A8	No
Right	A1 & A8	Yes

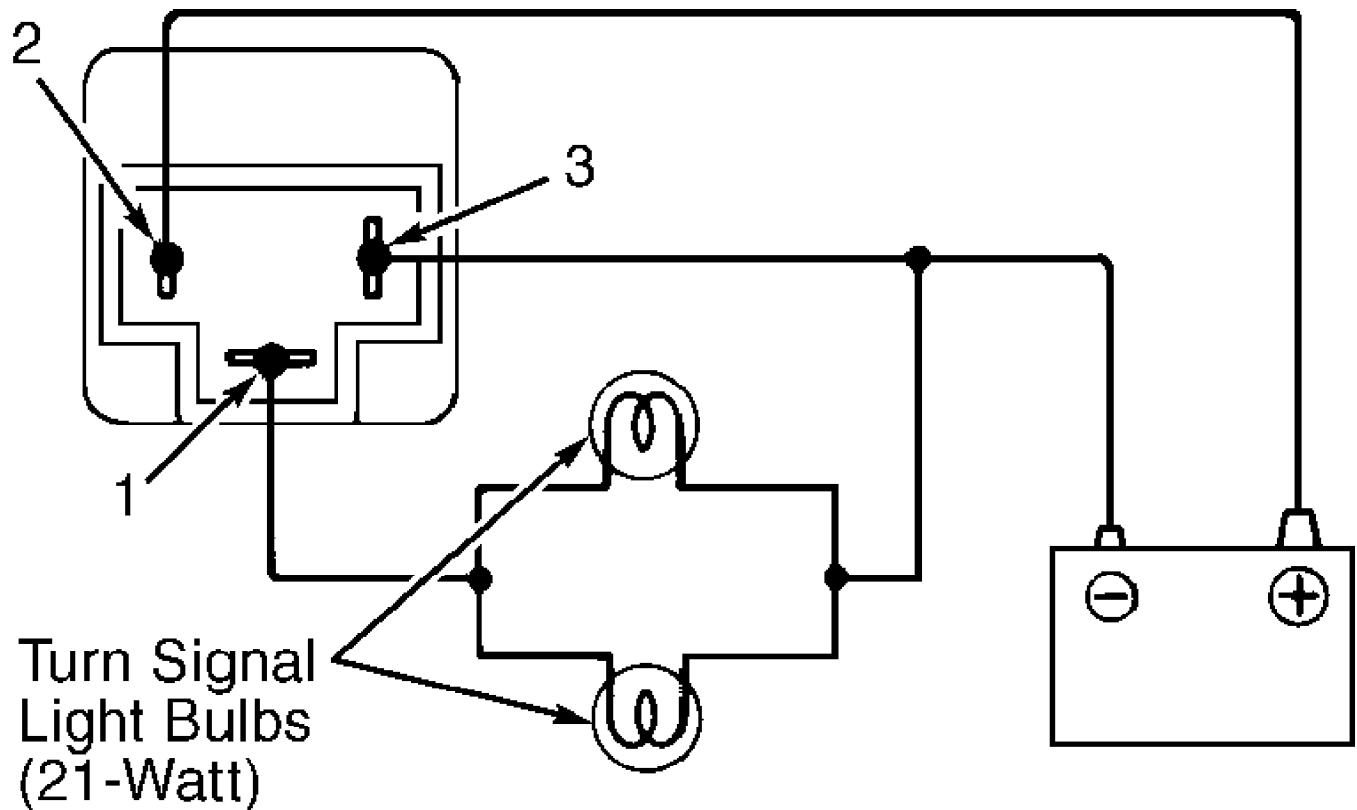
(1) - See Fig. 1.

TURN SIGNAL FLASHER

Remove turn signal flasher. See TURN SIGNAL FLASHER LOCATION table. At turn signal flasher terminals, connect battery positive lead to terminal No. 2. See Fig. 5. Connect battery negative lead to terminal No. 3. Connect 2 turn signal bulbs in parallel between terminal No. 1 and battery negative terminal. Replace turn signal flasher if bulbs do not flash 60-120 times per minute.

TURN SIGNAL FLASHER LOCATION TABLE

Application	Location
Celica	Behind Left Kick Panel, In Relay Block No. 1



93A84673

Fig. 5: Testing Turn Signal Flasher
 Courtesy of Toyota Motor Sales, U.S.A., Inc.

WIPER/WASHER SWITCH

NOTE: See the WIPER/WASHER SYSTEM article in the ACCESSORIES/SAFETY EQUIPMENT section.

REMOVAL & INSTALLATION

WARNING: Are equipped with a driver-side air bag. Before servicing steering column, disable air bag system to prevent air bag deployment. To disable air bag system, turn ignition switch to LOCK position. Disconnect negative battery cable. Wait at least 90 seconds to allow back-up power supply to discharge. For more information, see AIR BAG RESTRAINT SYSTEM article in the ACCESSORIES/SAFETY EQUIPMENT section.

COMBINATION SWITCH

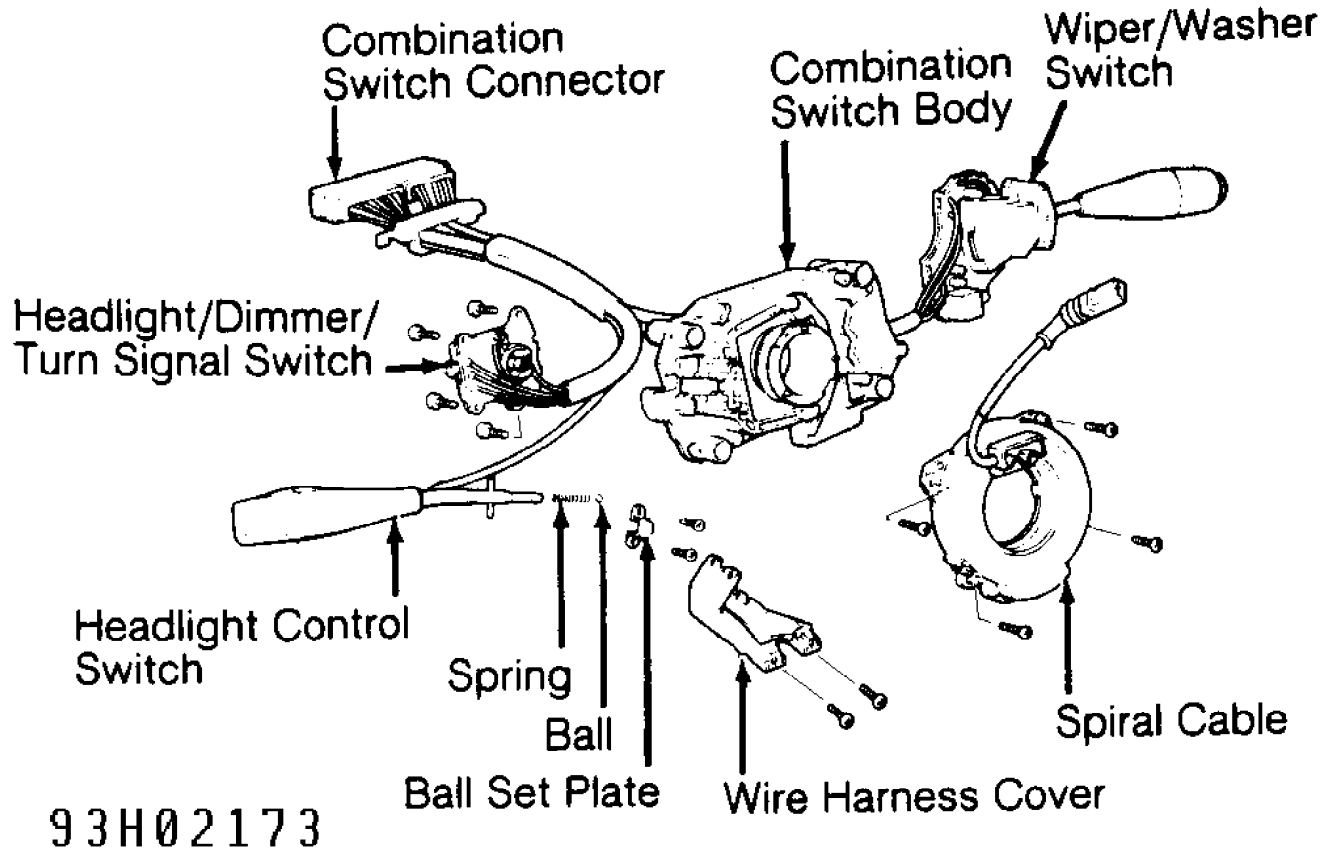
Removal & Installation

1) Remove steering wheel. See STEERING WHEEL. Remove upper and lower steering column covers (it may be necessary to first remove lower finish panel from instrument panel). Disconnect combination switch connector. See Fig. 6.

2) On vehicles with cruise control switches on steering wheel, disconnect cruise control electrical connector(s) from slip ring. Remove slip ring from combination switch.

3) On all models, remove wire ties securing combination

switch wiring harness to column. Remove screws securing combination switch to steering column. Remove combination switch. To install, reverse removal procedure.



93H02173

Fig. 6: Exploded View Of Combination Switch
 Courtesy of Toyota Motor Sales, U.S.A., Inc.

IGNITION SWITCH

Removal & Installation

1) Disconnect negative battery cable. Remove upper and lower steering column covers (it may be necessary to first remove lower instrument panel trim panel). Remove outer plastic trim cover from lock cylinder assembly (if equipped).

2) Disconnect ignition switch electrical connector(s). Remove screw(s) retaining ignition switch to lock cylinder. Remove ignition switch from lock cylinder. To install, reverse removal procedure.

STEERING WHEEL

Removal

1) Ensure front wheels are in straight-ahead position. Turn ignition switch to LOCK position. Remove key. Disconnect negative battery cable. Wait 90 seconds before servicing steering wheel. Remove 2 screw covers from outer sides of steering wheel. Using Torx Wrench (T30), loosen 4 horn pad screws until screw head is snug against screw case. See Fig. 7.

2) Carefully pull steering wheel pad away from steering wheel enough to unlock and disconnect air bag electrical connector. DO NOT pull on electrical connector or wiring. Store air bag pad aside with

pad facing upward.

3) Remove steering wheel lock nut and washer from steering shaft. Make alignment mark on steering shaft and steering wheel for installation reference. Using appropriate steering wheel puller, pull steering wheel from shaft while guiding spiral cable wire through steering wheel opening.

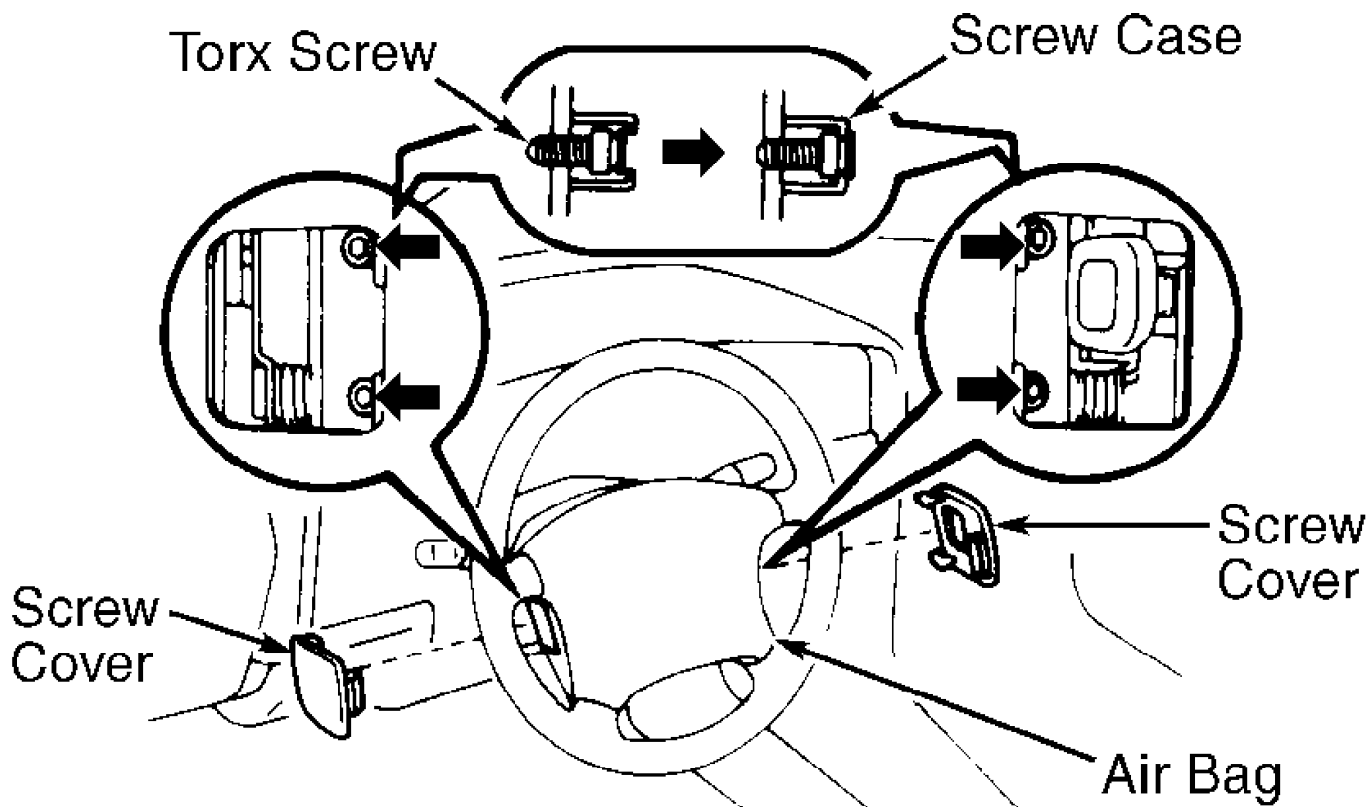
Installation

1) Ensure front wheels are in straight-ahead position. Install spiral cable on combination switch body. Turn spiral cable counterclockwise by hand until it is hard to turn. Turn spiral cable clockwise about 2 1/2 turns, aligning marks on spiral cable.

2) Install steering wheel, guiding spiral cable through opening in steering wheel. Align reference marks on steering shaft and steering wheel. Tighten steering wheel lock nut to specification. See TORQUE SPECIFICATIONS table.

3) Connect air bag module electrical connector. Close connector lock. Ensure air bag module Torx screws are retracted and snug against screw case. See Fig. 7.

4) Install air bag module, ensuring wiring is not pinched and does not interfere with other moving parts. Tighten air bag module Torx screws to specification. See TORQUE SPECIFICATIONS table. Install screw covers. Connect negative battery cable.



91G03959

Fig. 7: Removing Air Bag From Steering Wheel (Typical)
Courtesy of Toyota Motor Sales, U.S.A., Inc.

TURN SIGNAL/DIMMER SWITCH

NOTE: To remove turn signal/dimmer switch, it may be necessary to first remove headlight control switch, spring, ball and

ball set plate. See Fig. 6.

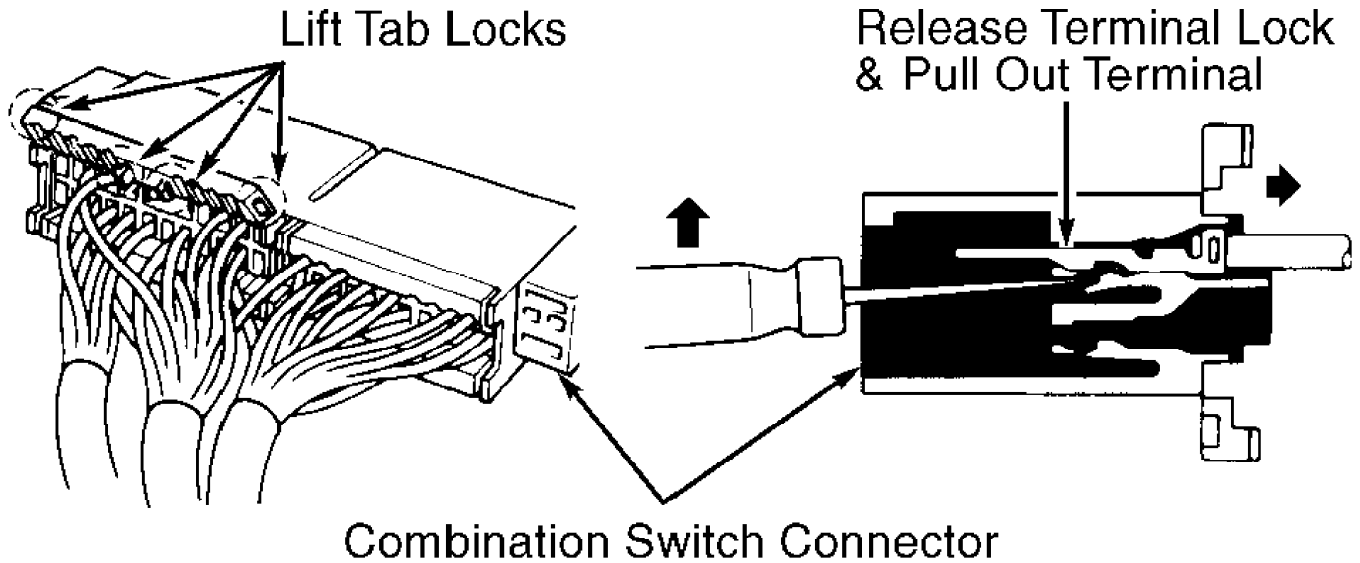
Removal

1) Disconnect negative battery cable. Remove steering column covers. At combination switch connector, lift tab locks and remove clamp. See Fig. 8. Identify turn signal/dimmer switch wire terminals in combination switch connector.

2) Using miniature screwdriver, release wire terminal lock inside connector. Pull wires from connector and from harness jacket tubing. Remove turn signal/dimmer switch screws from combination switch body. See Fig. 6. Remove turn signal/dimmer switch.

Installation

To install, reverse removal procedure. To install wire terminals into combination switch connector cavities, push wire terminal into cavity until terminal clicks into place.



93A02179

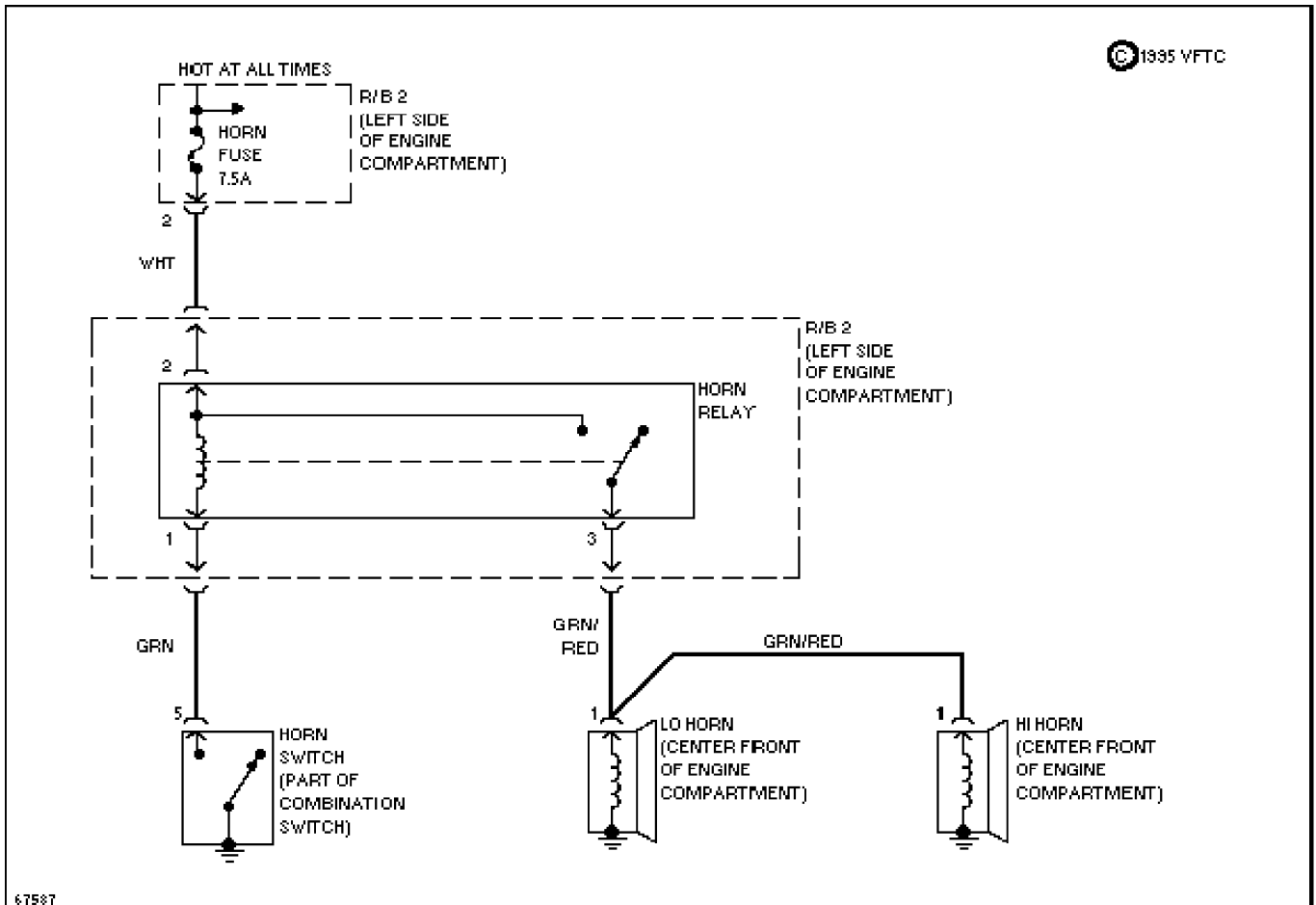
Fig. 8: Releasing Wire Terminals Inside Connector (Typical)
Courtesy of Toyota Motor Sales, U.S.A., Inc.

TORQUE SPECIFICATIONS

TORQUE SPECIFICATIONS TABLE

Application	Ft. Lbs. (N.m)
Steering Wheel Nut	26 (35)
	INCH Lbs. (N.m)
Air Bag Module Torx Screws	65 (7.3)

WIRING DIAGRAM



67587

Fig. 9: Horn Circuit Wiring Diagram