

# L - WIRING DIAGRAMS

1994 Toyota Celica

1994 ENGINE PERFORMANCE  
Toyota Wiring Diagrams

Celica

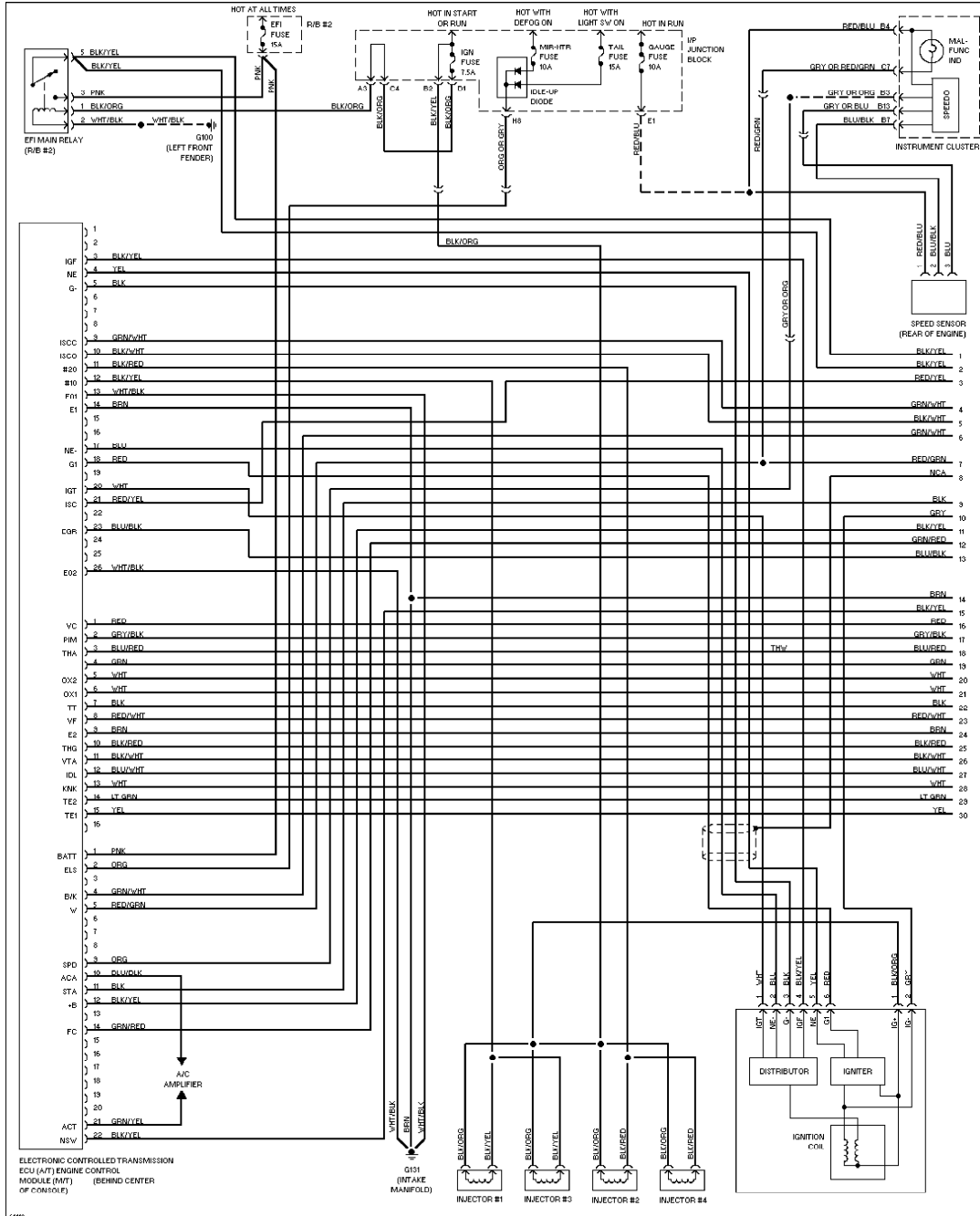


Fig. 1: Wiring Diagram (1.8L A/T - 1 Of 2)



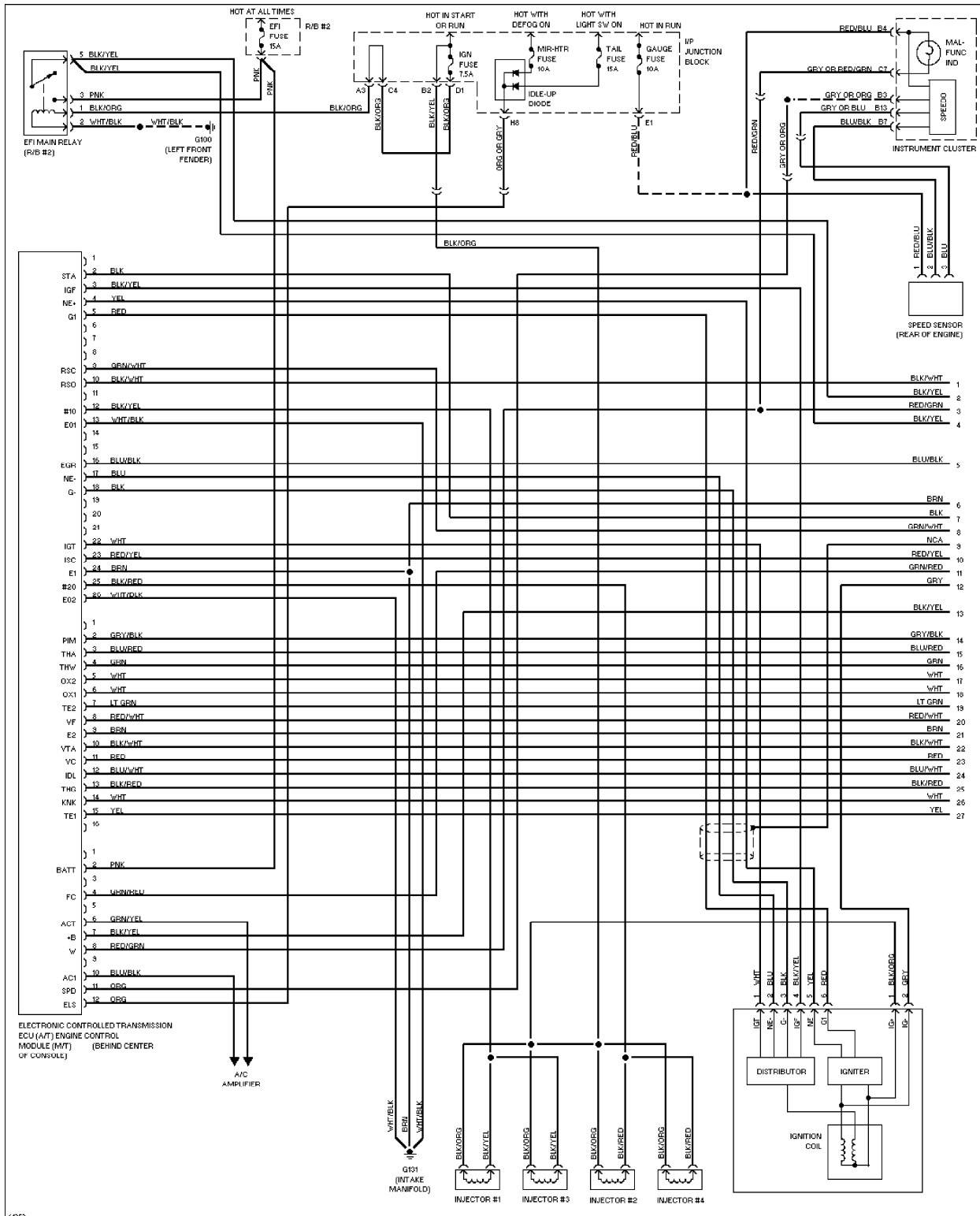


Fig. 3: Wiring Diagram (1.8L M/T - 1 Of 2)

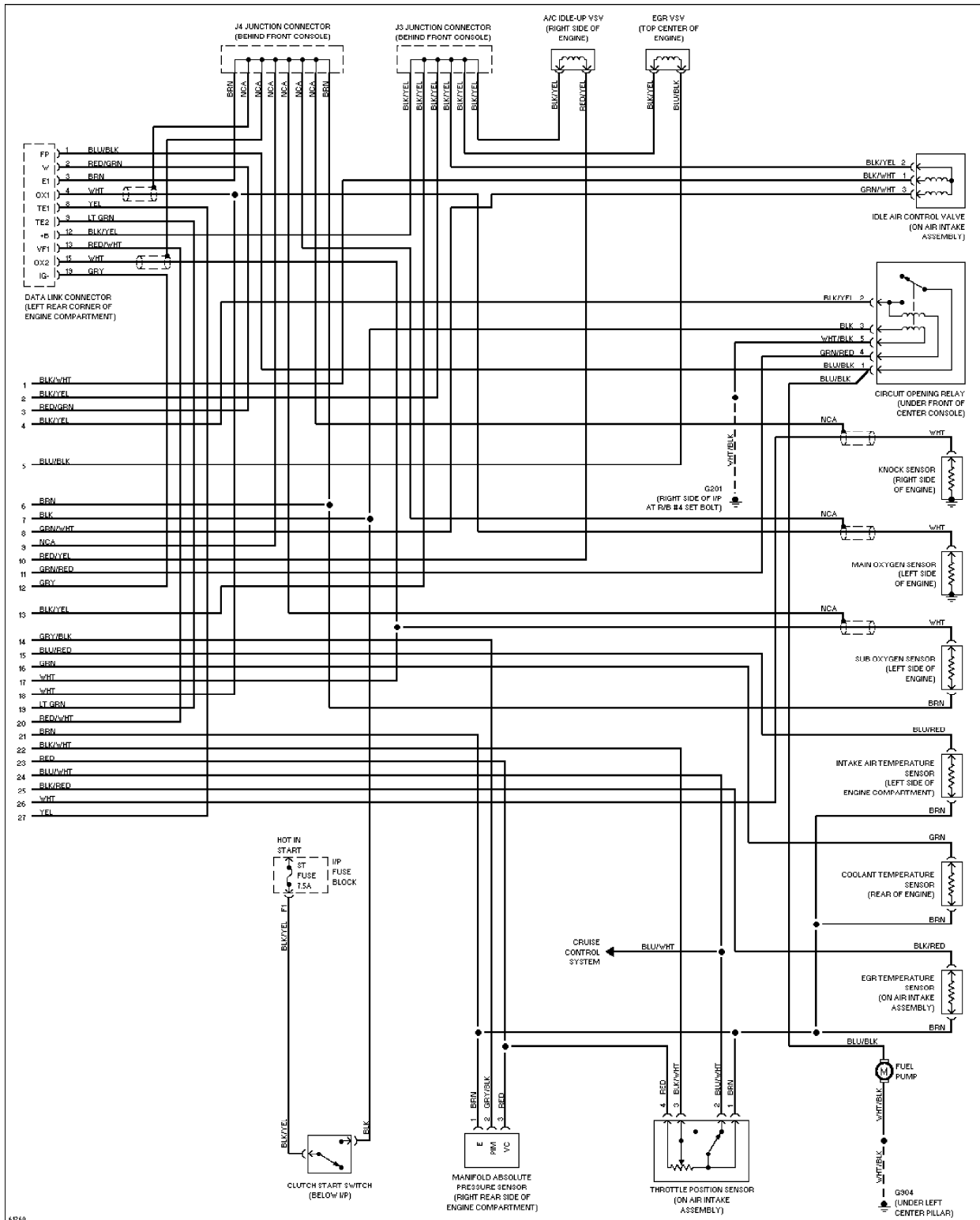


Fig. 4: Wiring Diagram (1.8L M/T - 2 Of 2)

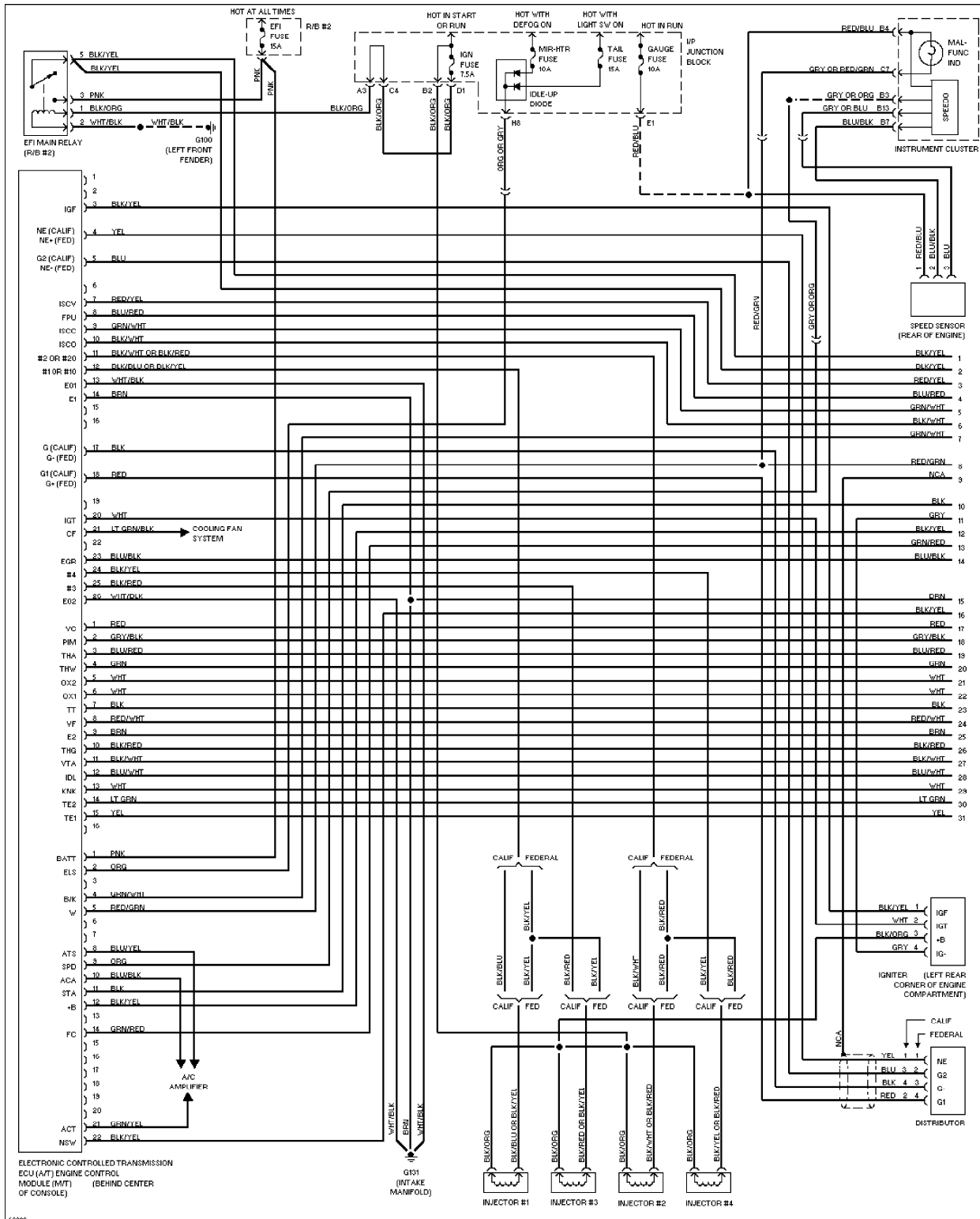


Fig. 5: Wiring Diagram (2.2L - 1 Of 2)

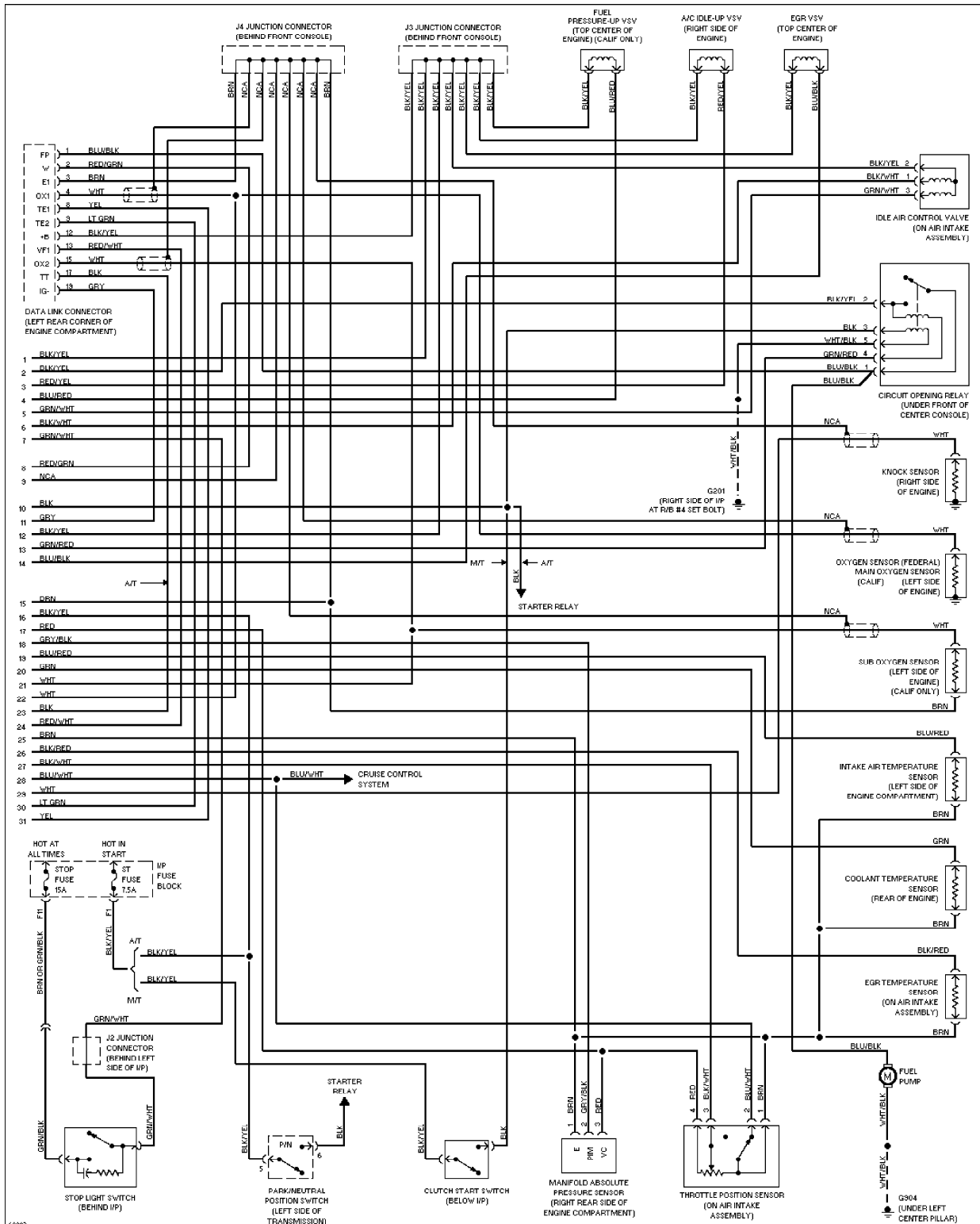


Fig. 6: Wiring Diagram (2.2L - 2 Of 2)