

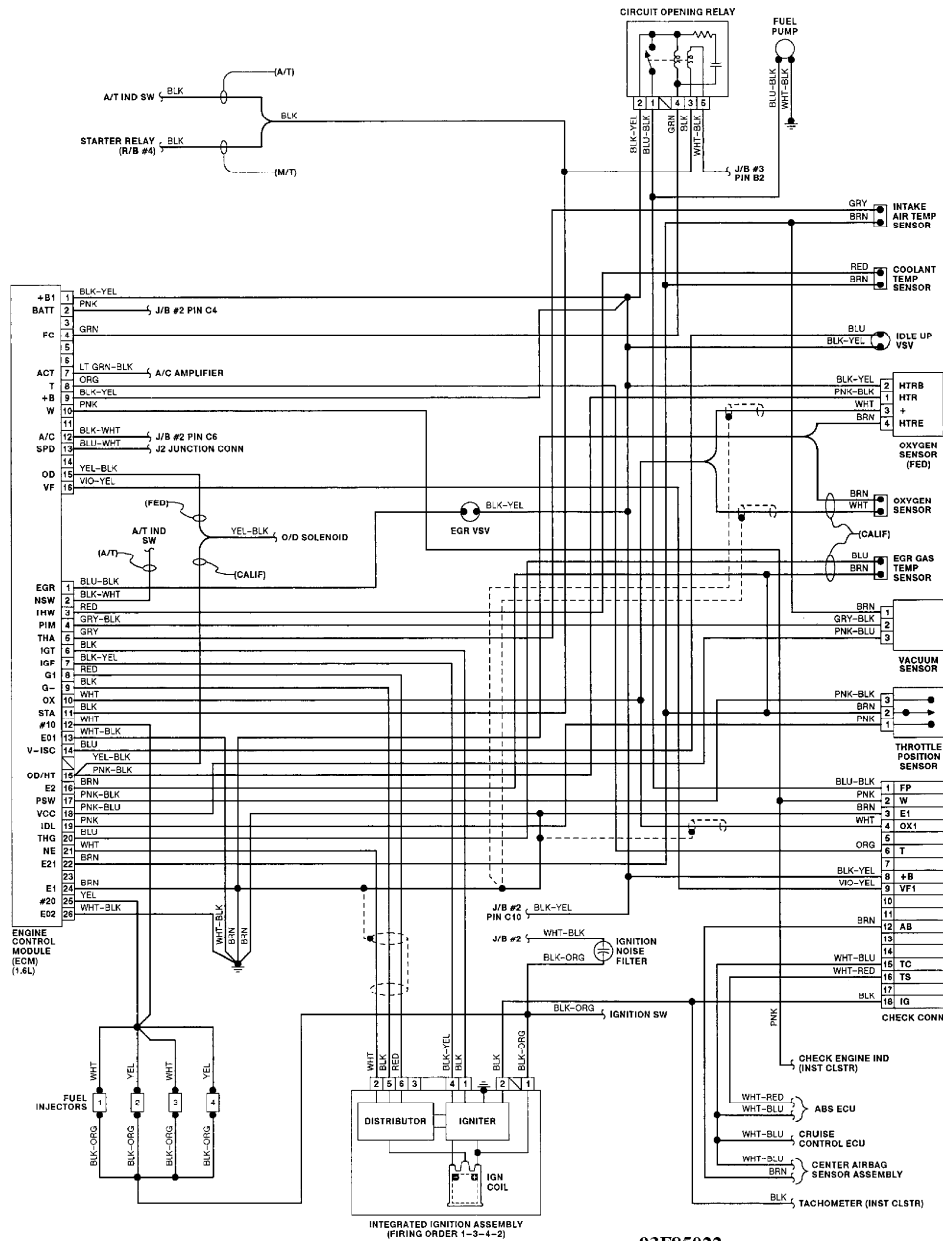
L - WIRING DIAGRAMS

1993 Toyota Celica

1993 ENGINE PERFORMANCE
Toyota Wiring Diagrams

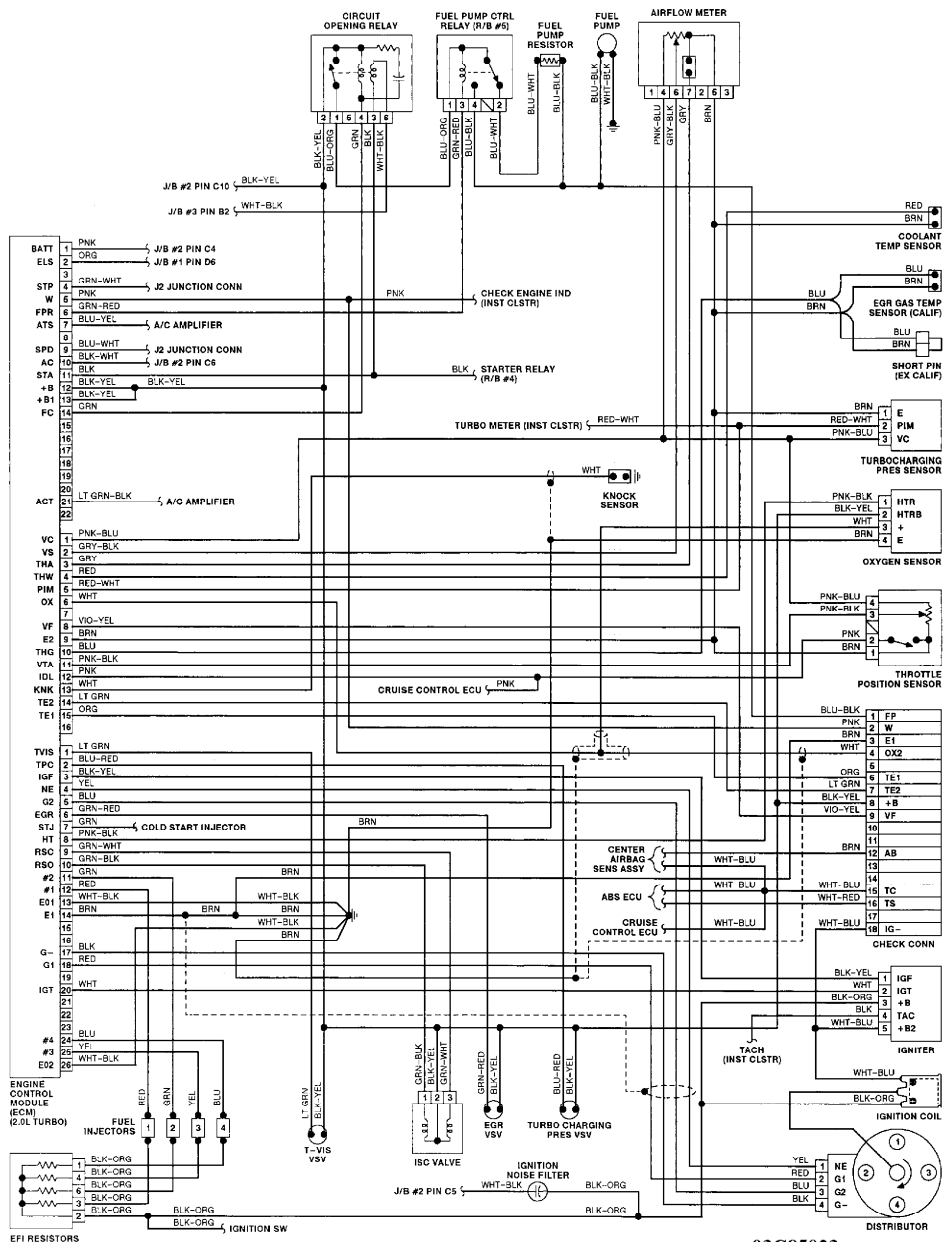
Celica

WIRING DIAGRAMS



93F85022

Fig. 1: Wiring Diagram (Celica 1.6L)



93G85023

Fig. 2: Wiring Diagram (Celica 2.0L Turbo)

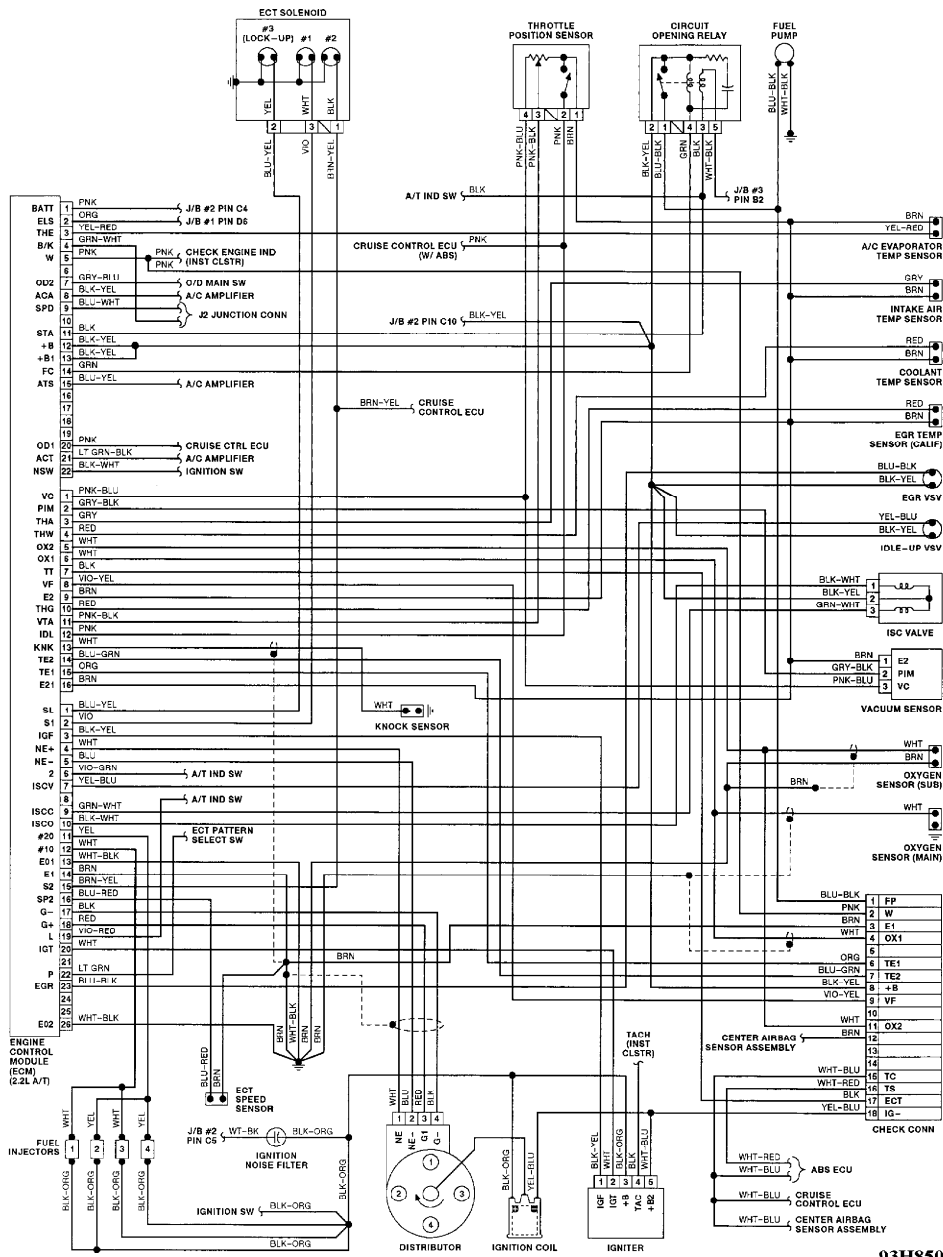
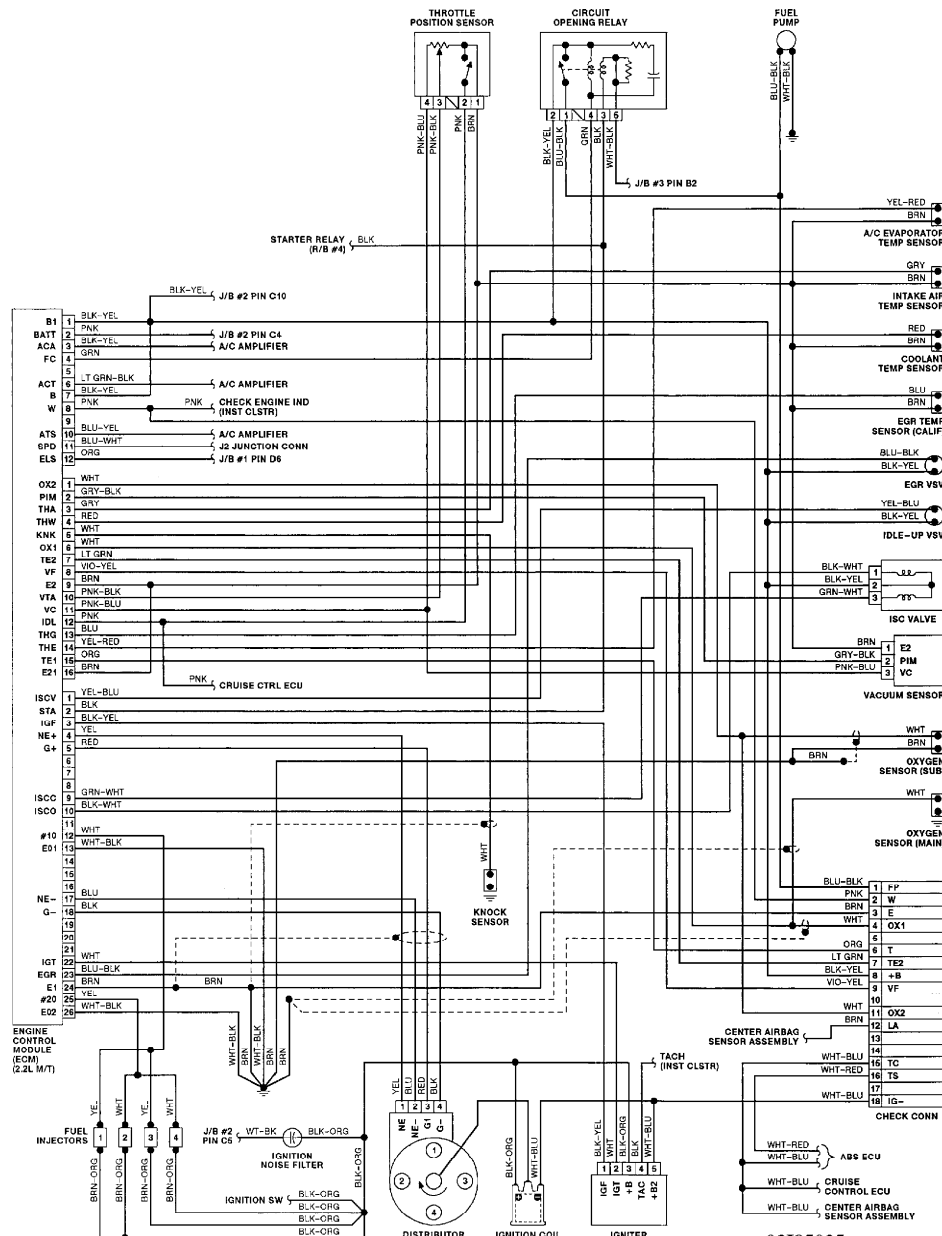


Fig. 3: Wiring Diagram (Celica 2.2L A/T)

93H8502



93185025

Fig. 4: Wiring Diagram (Celica 2.2L M/T)