

# M - VACUUM DIAGRAMS

1993 Toyota Celica

1993 ENGINE PERFORMANCE  
Vacuum Diagrams

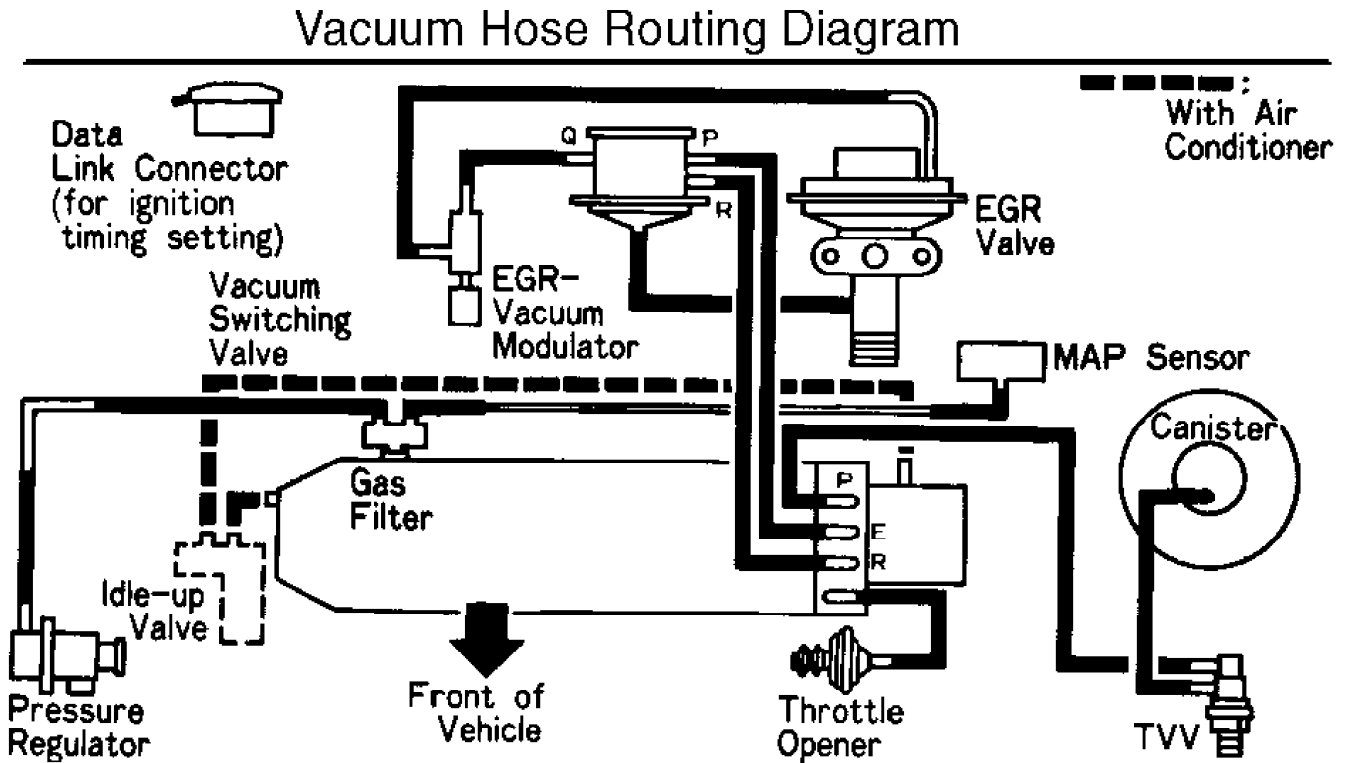
Camry, Celica, Corolla, Land Cruiser, MR2, Paseo,  
Pickup, Previa, Supra, Tercel, T100, 4Runner

## INTRODUCTION

This article contains underhood views or schematics of vacuum hose routing. Use these vacuum diagrams during the visual inspection in the appropriate F - BASIC TESTING article. This will assist in identifying improperly routed vacuum hoses which cause driveability and/or computer-indicated malfunctions.

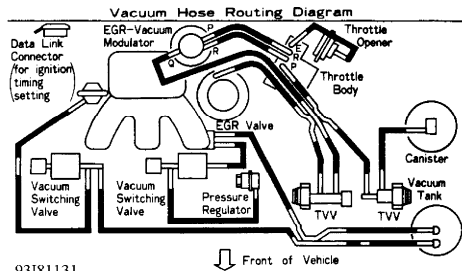
## VACUUM DIAGRAMS

CAMRY



93H81130

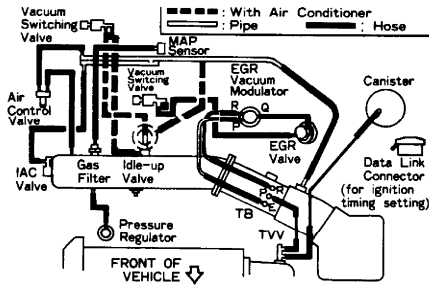
Fig. 1: Vacuum Diagram (Camry 2.2L)  
Courtesy of Toyota Motor Sales, U.S.A., Inc.



93R1131

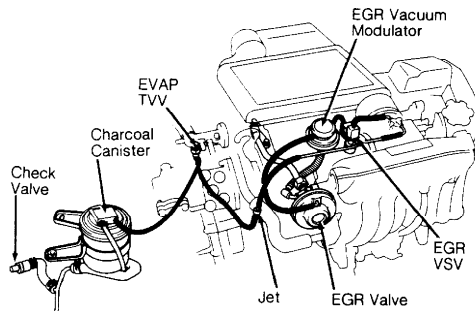
Fig. 2: Vacuum Diagram (Camry 3.0L)  
 Courtesy of Toyota Motor Sales, U.S.A., Inc.

### CELICA



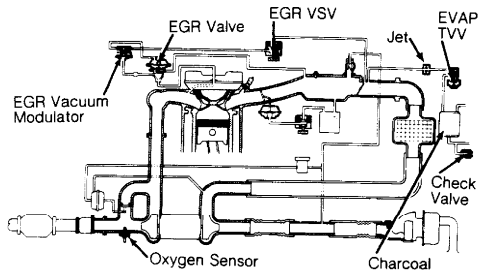
93R1132

Fig. 3: Vacuum Diagram (Celica 1.6L 4A-FE)  
 Courtesy of Toyota Motor Sales, U.S.A., Inc.



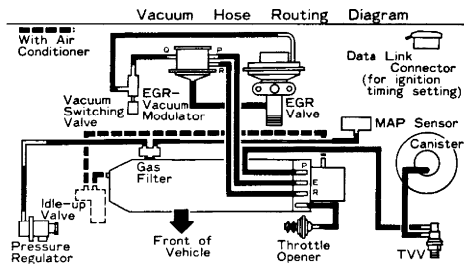
93AR1133

Fig. 4: Vacuum Diagram (Celica 2.0L Turbo 3S-GTE - Routing)  
 Courtesy of Toyota Motor Sales, U.S.A., Inc.



93BR1134

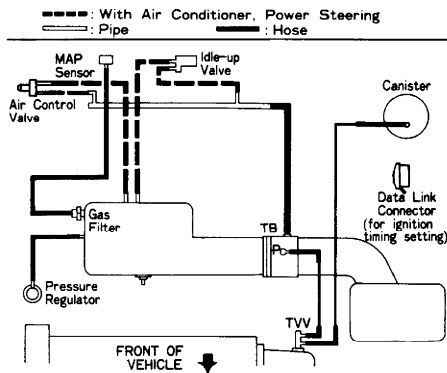
Fig. 5: Vacuum Diagram (Celica 2.0L Turbo 3S-GTE - Schematic)  
 Courtesy of Toyota Motor Sales, U.S.A., Inc.



93C81135

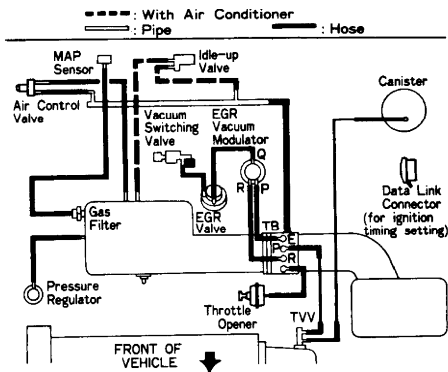
Fig. 6: Vacuum Diagram (Celica 2.2L 5S-FE)  
 Courtesy of Toyota Motor Sales, U.S.A., Inc.

### COROLLA



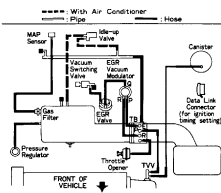
93D81136

Fig. 7: Vacuum Diagram (Corolla - Federal Models)  
 Courtesy of Toyota Motor Sales, U.S.A., Inc.



93F81137

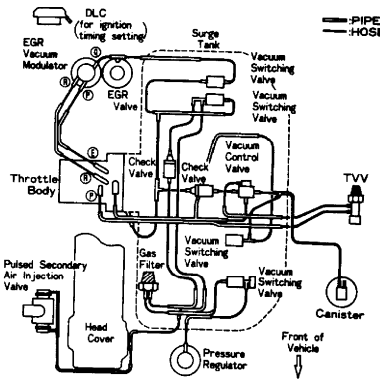
Fig. 8: Vacuum Diagram (Corolla - Calif. Models W/ Power Steering)  
 Courtesy of Toyota Motor Sales, U.S.A., Inc.



93R1138

Fig. 9: Vacuum Diagram (Corolla - Calif. Models W/O Power Steering)  
 Courtesy of Toyota Motor Sales, U.S.A., Inc.

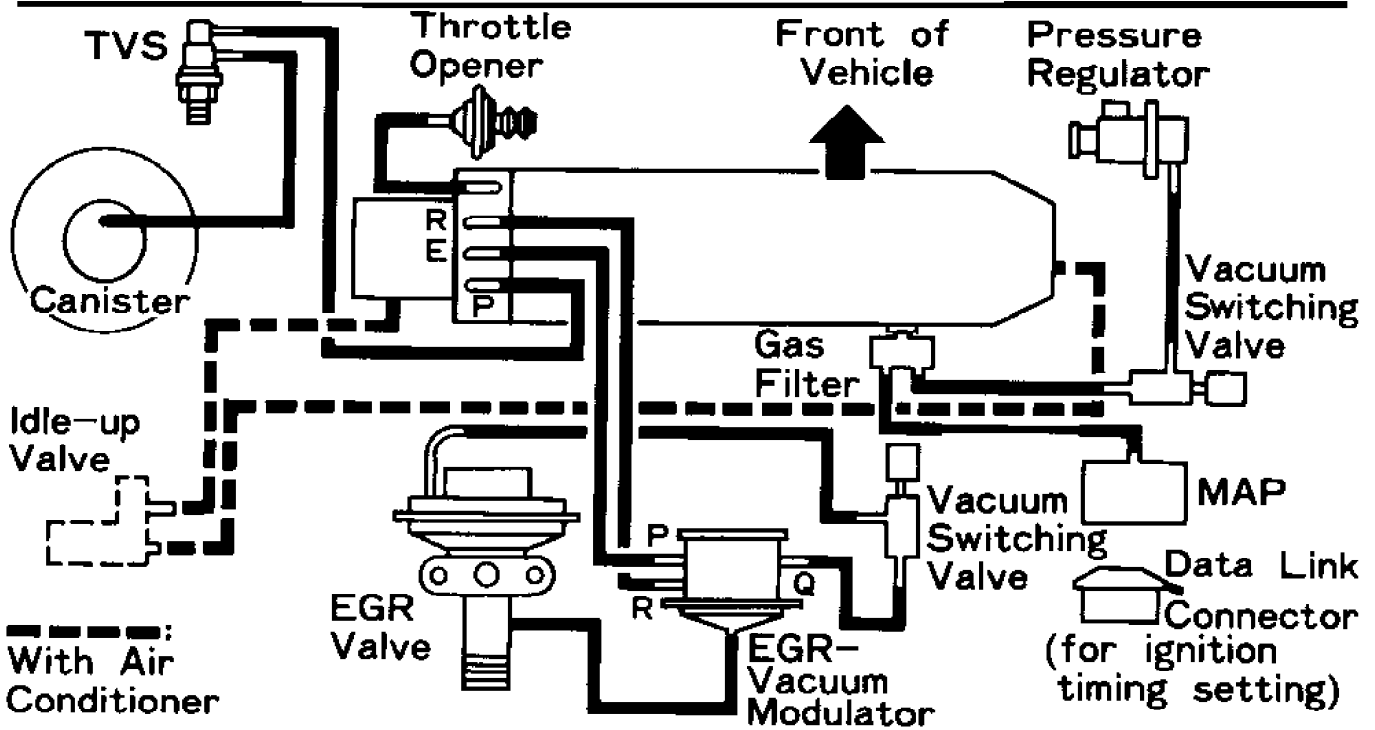
### LAND CRUISER



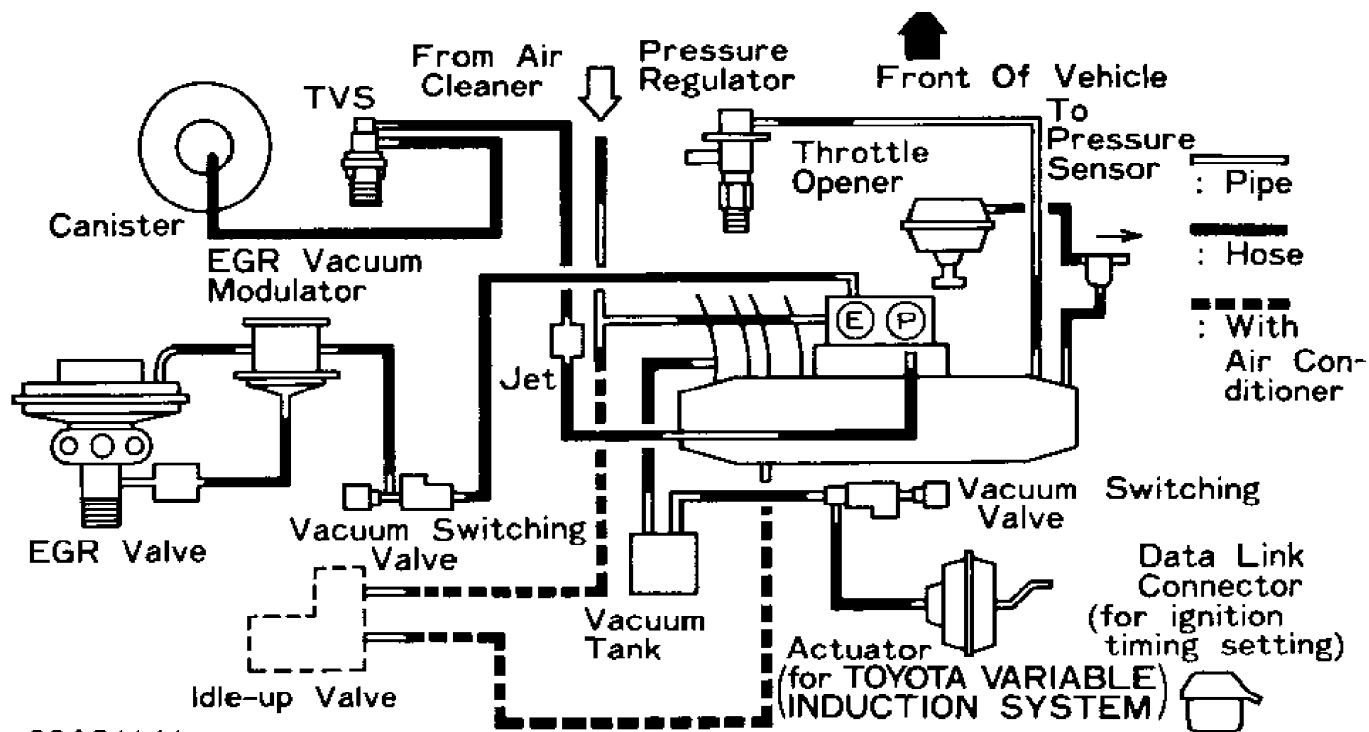
93G81139  
 Fig. 10: Vacuum Diagram (Land Cruiser)  
 Courtesy of Toyota Motor Sales, U.S.A., Inc.

MR2

### Vacuum Hose Routing Diagram



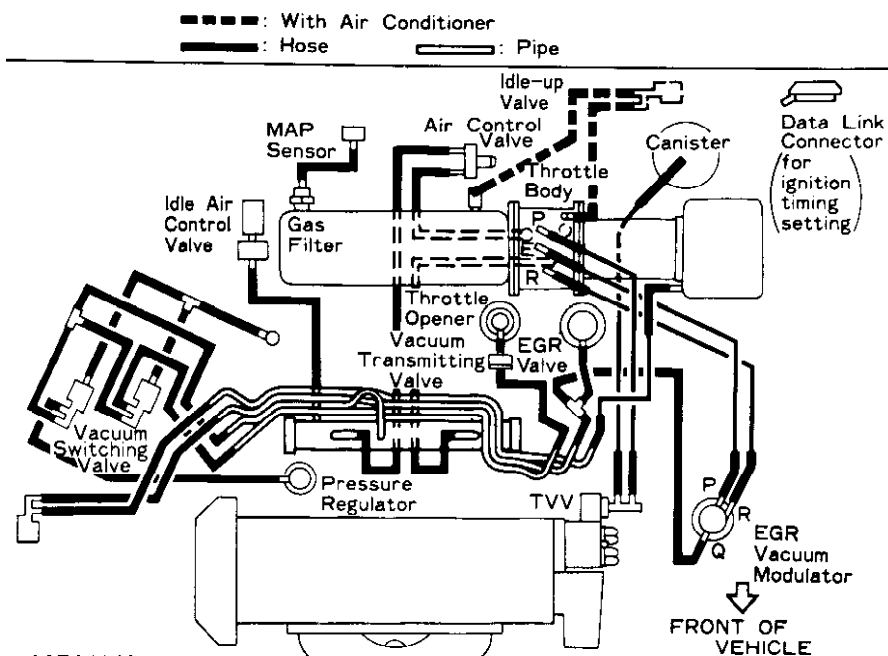
93J81140  
 Fig. 11: Vacuum Diagram (MR2 Non-Turbo)  
 Courtesy of Toyota Motor Sales, U.S.A., Inc.



93A81141

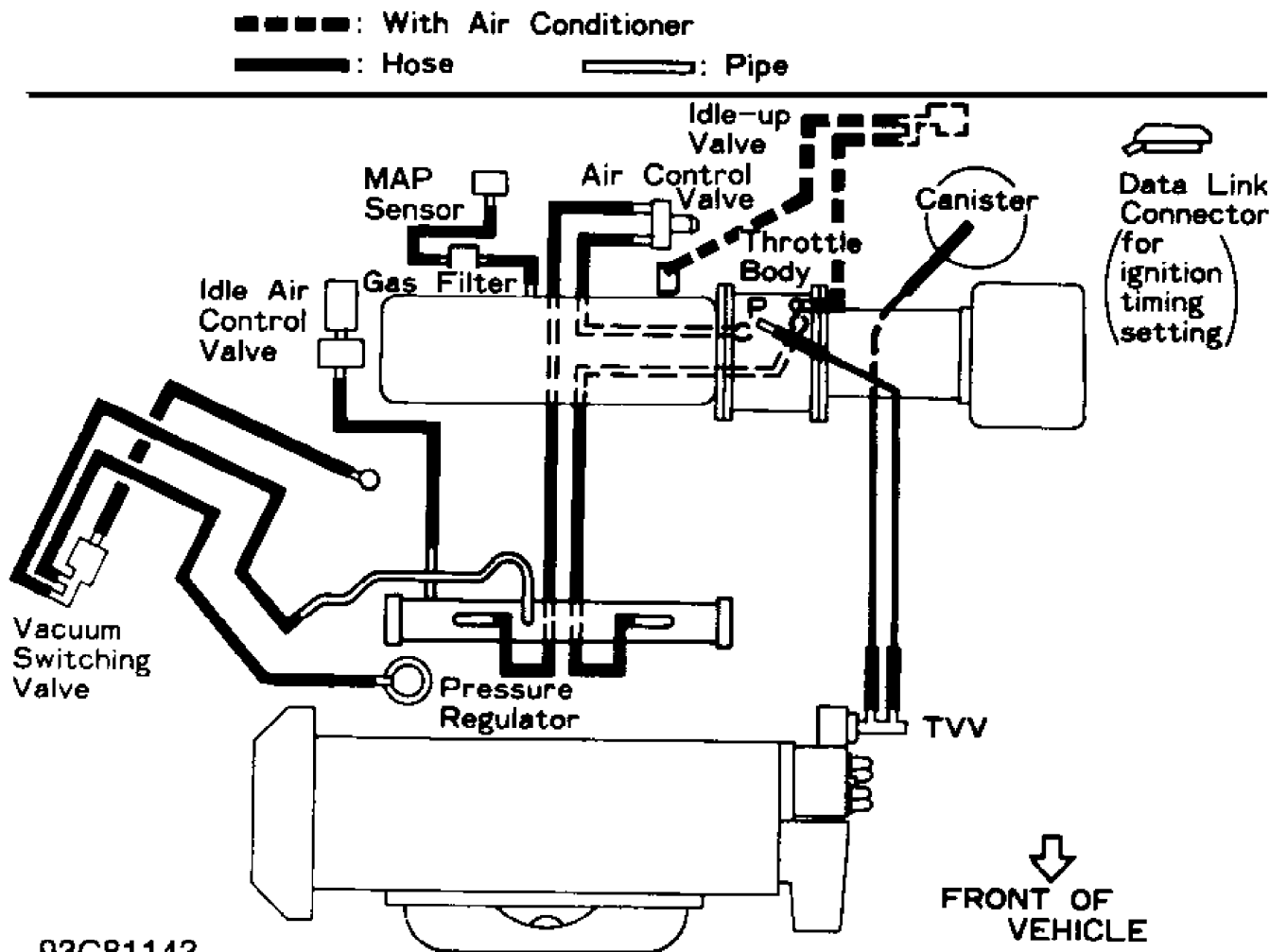
Fig. 12: Vacuum Diagram (MR2 Turbo)  
 Courtesy of Toyota Motor Sales, U.S.A., Inc.

PASEO



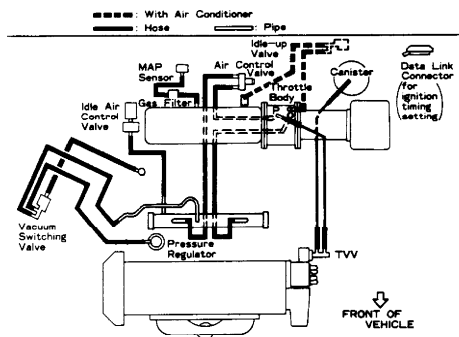
93B81142

Fig. 13: Vacuum Diagram (Paseo - Federal A/T)  
 Courtesy of Toyota Motor Sales, U.S.A., Inc.



93C81143

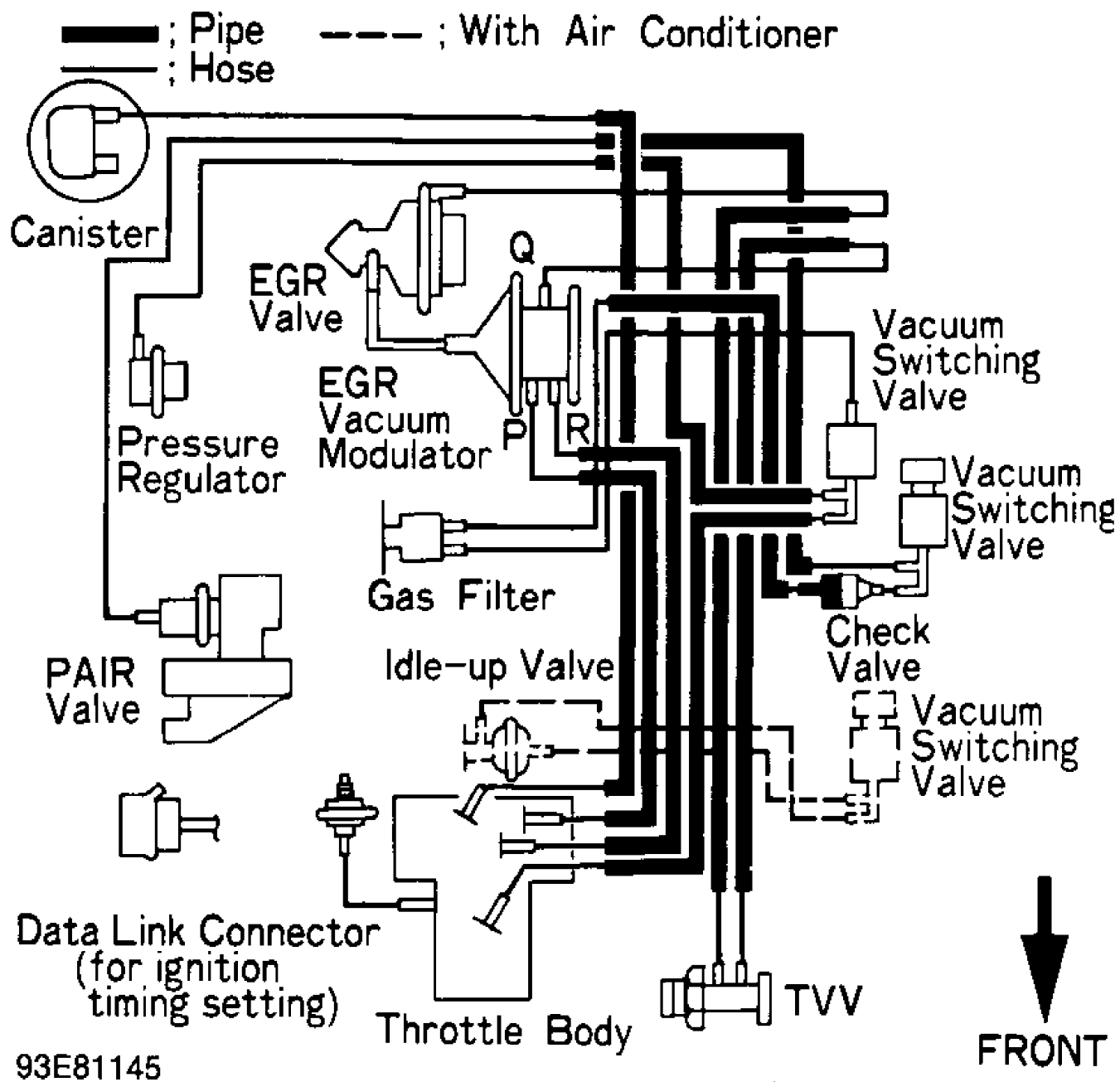
Fig. 14: Vacuum Diagram (Paseo - Federal M/T)  
 Courtesy of Toyota Motor Sales, U.S.A., Inc.



93D81144

Fig. 15: Vacuum Diagram (Paseo - California Models)  
 Courtesy of Toyota Motor Sales, U.S.A., Inc.

PICKUP & 4RUNNER



93E81145

Fig. 16: Vacuum Diagram (Pickup 2.4L & 4Runner 2.4L - Federal A/T)  
 Courtesy of Toyota Motor Sales, U.S.A., Inc.

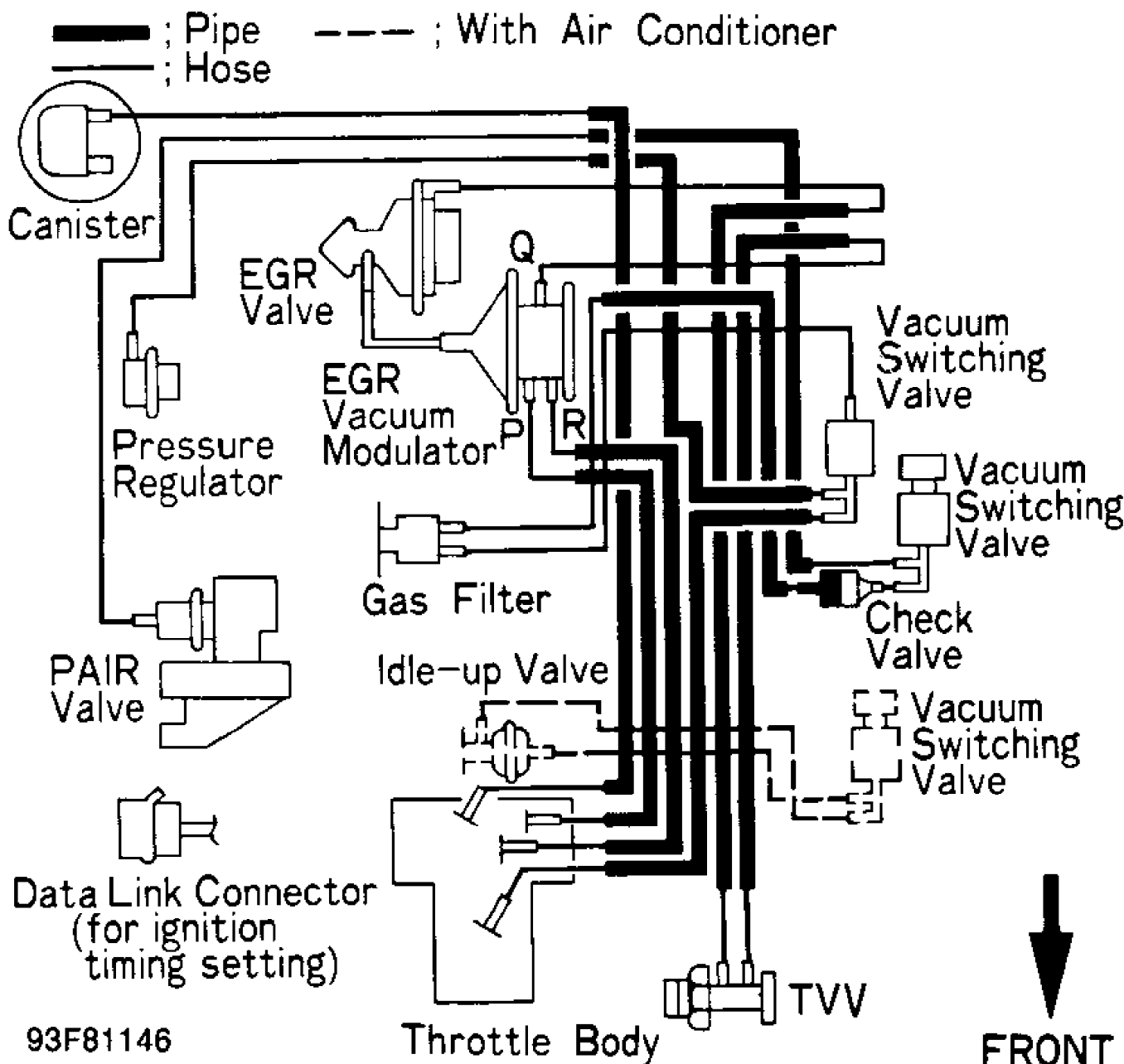
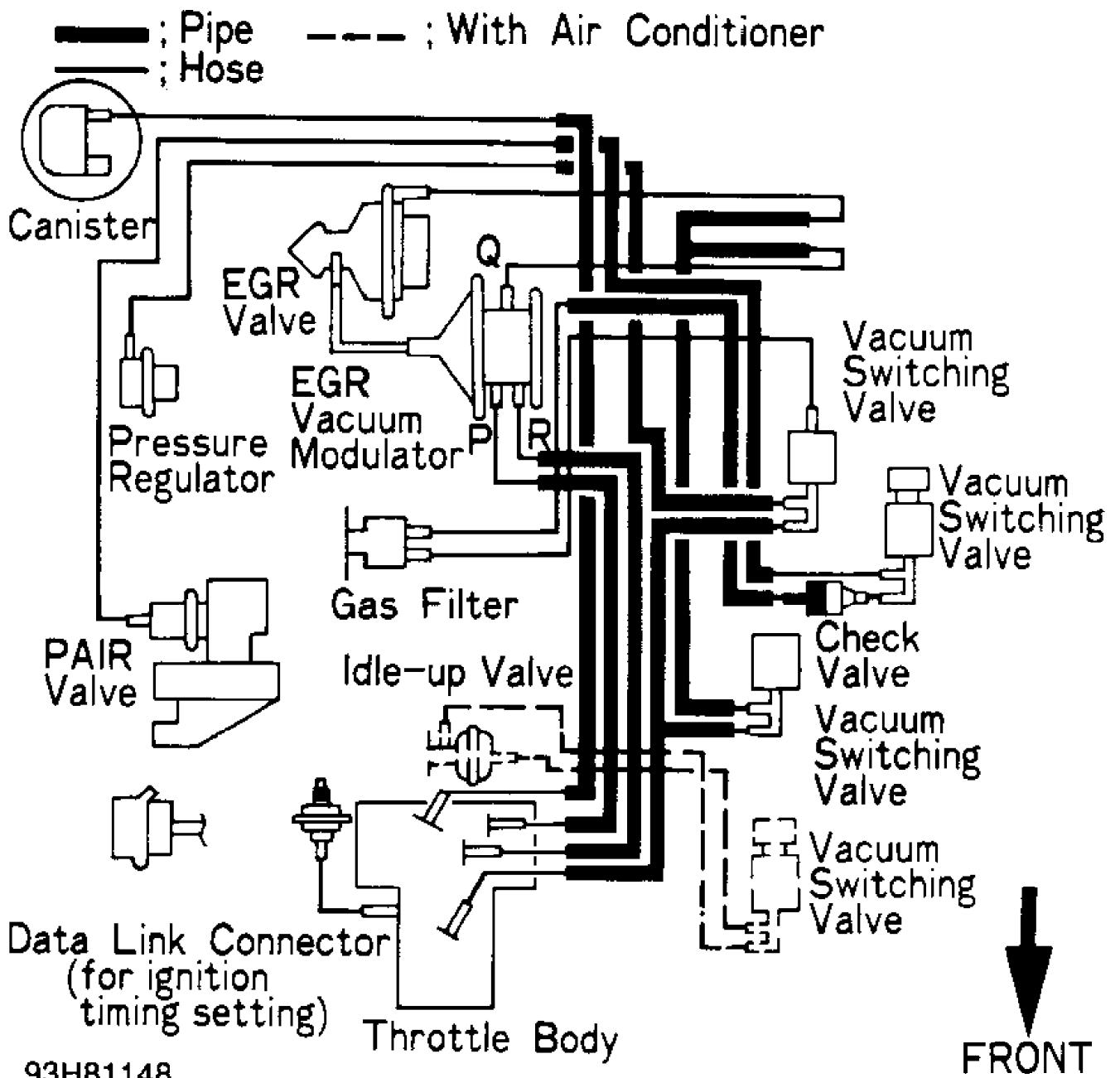


Fig. 17: Vacuum Diagram (Pickup 2.4L & 4Runner 2.4L - Federal M/T)  
 Courtesy of Toyota Motor Sales, U.S.A., Inc.

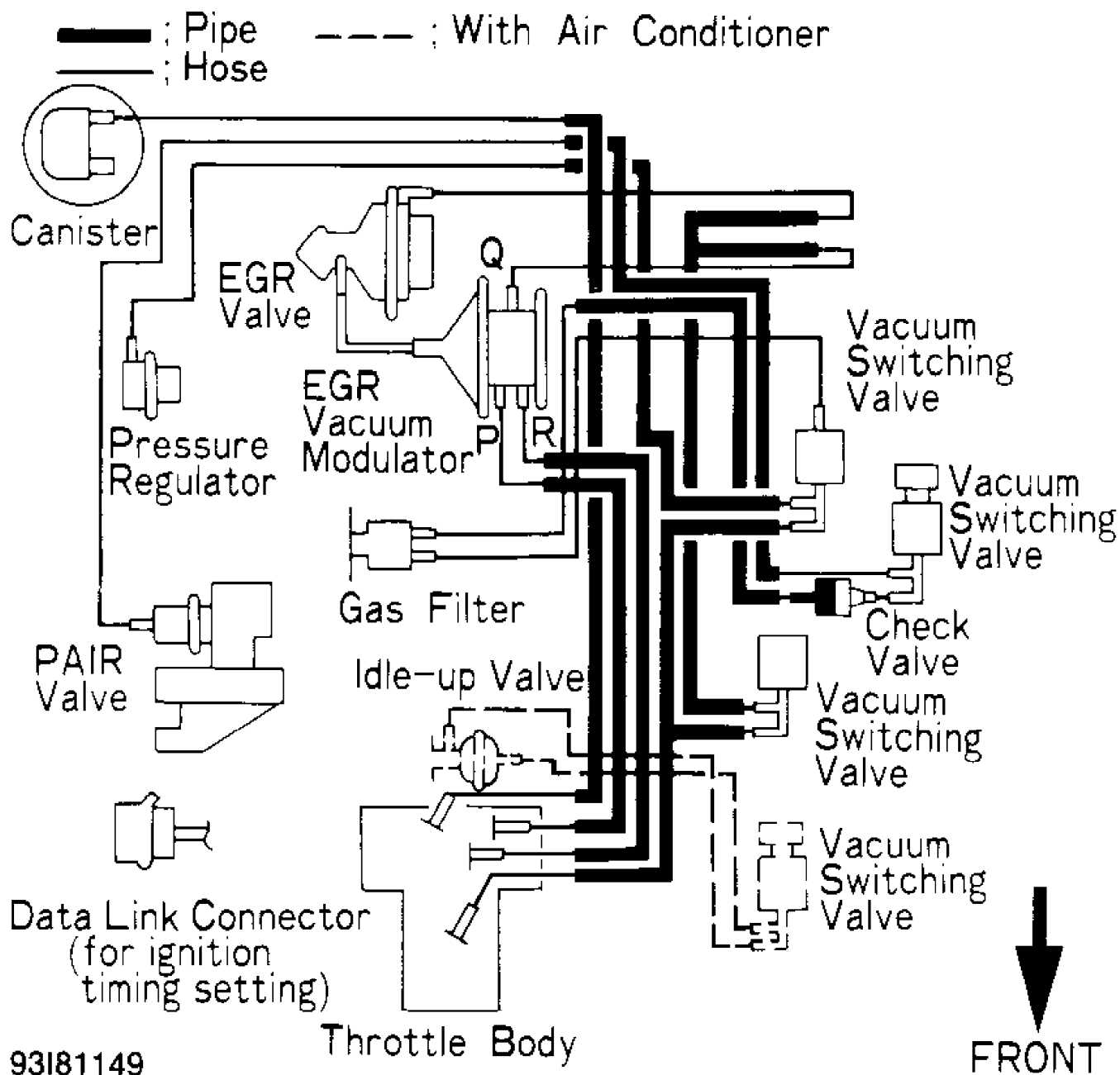




93H81148

Fig. 18: Vacuum Diagram (Pickup 2.4L & 4Runner 2.4L - California A/T)

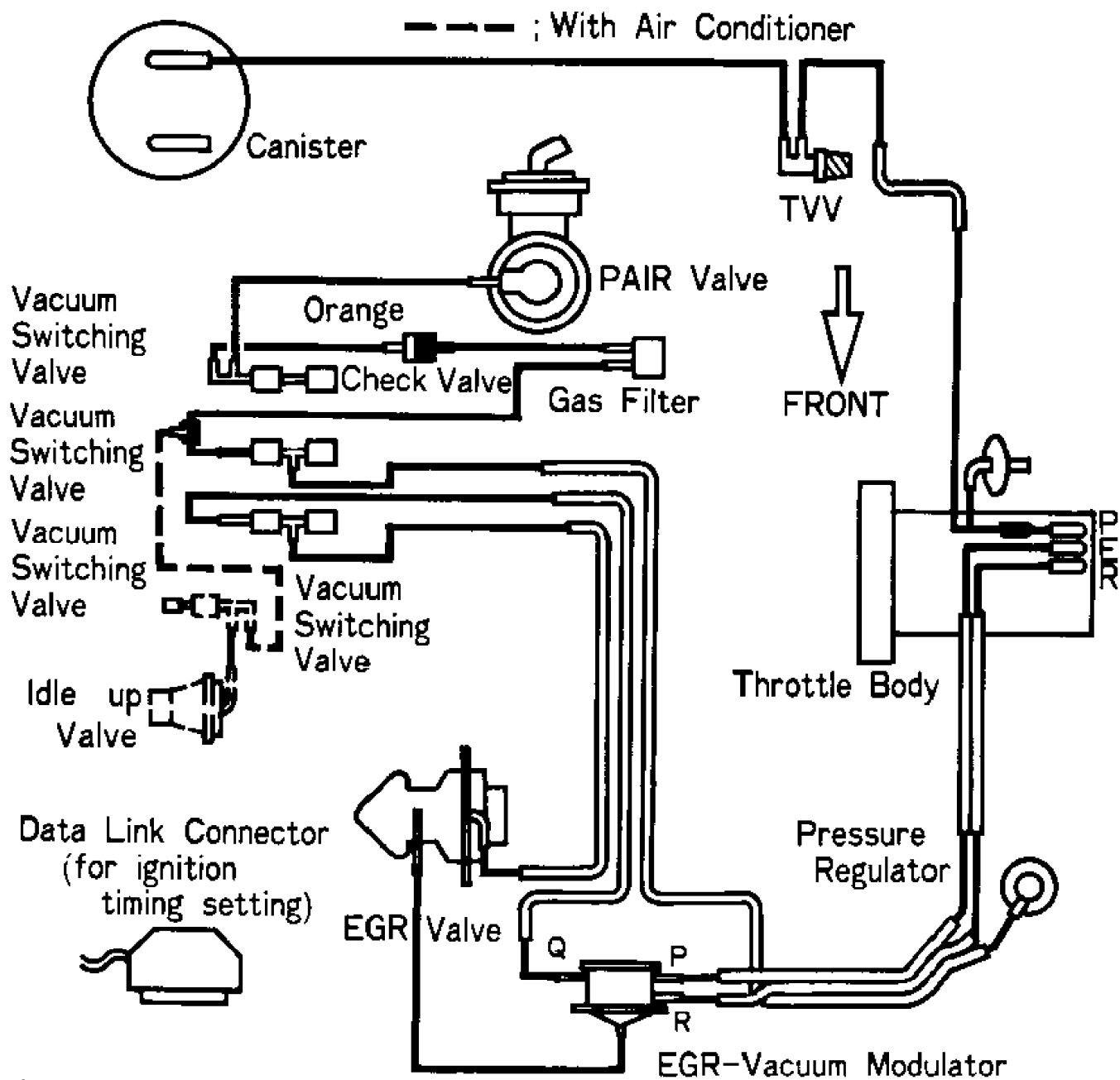
Courtesy of Toyota Motor Sales, U.S.A., Inc.



93181149

Fig. 19: Vacuum Diagram (Pickup 2.4L & 4Runner 2.4L - California M/T)

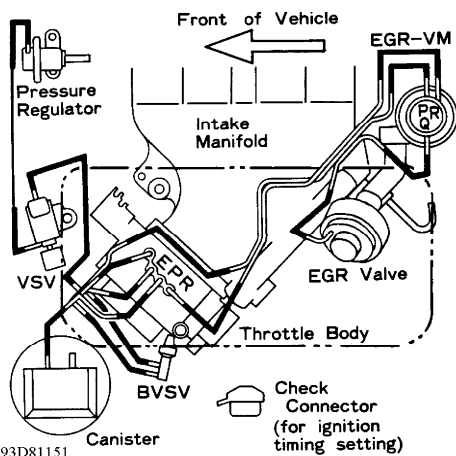
Courtesy of Toyota Motor Sales, U.S.A., Inc.



**93C81150**

Fig. 20: Vacuum Diagram (Pickup 3.0L & 4Runner 3.0L)  
 Courtesy of Toyota Motor Sales, U.S.A., Inc.

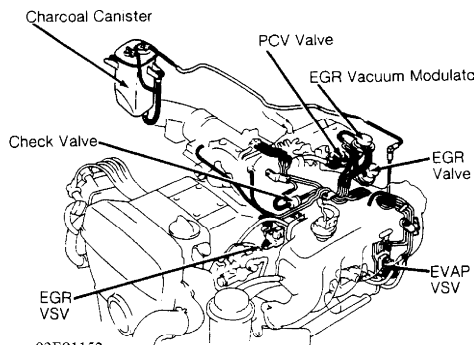
PREVIA



93D81151

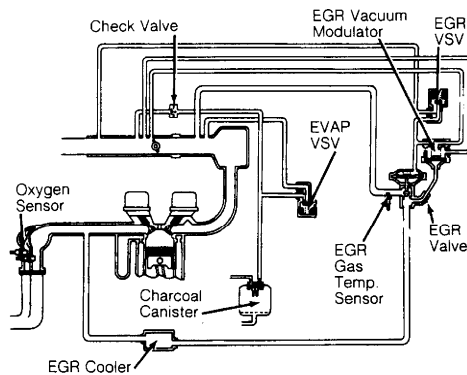
Fig. 21: Vacuum Diagram (Previa)  
 Courtesy of Toyota Motor Sales, U.S.A., Inc.

### SUPRA



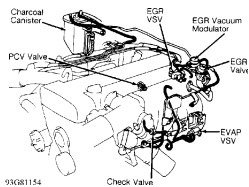
93F81152

Fig. 22: Vacuum Diagram (Supra Non-Turbo - Routing)  
 Courtesy of Toyota Motor Sales, U.S.A., Inc.



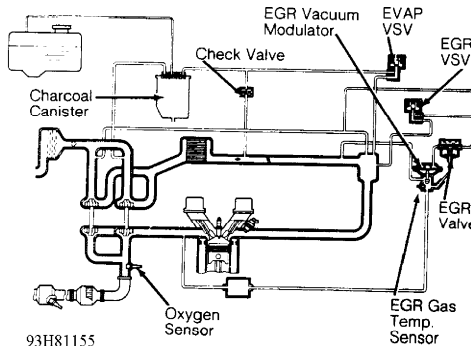
93FR1153

Fig. 23: Vacuum Diagram (Supra Non-Turbo - Schematic)  
 Courtesy of Toyota Motor Sales, U.S.A., Inc.



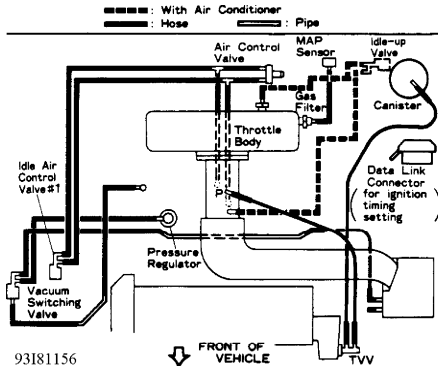
93G81154

Fig. 24: Vacuum Diagram (Supra Turbo)  
 Courtesy of Toyota Motor Sales, U.S.A., Inc.

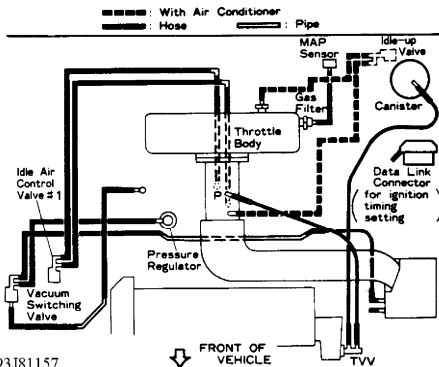


93H81155  
 Fig. 25: Vacuum Diagram (Supra Turbo)  
 Courtesy of Toyota Motor Sales, U.S.A., Inc.

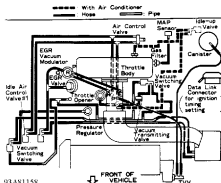
TERCEL



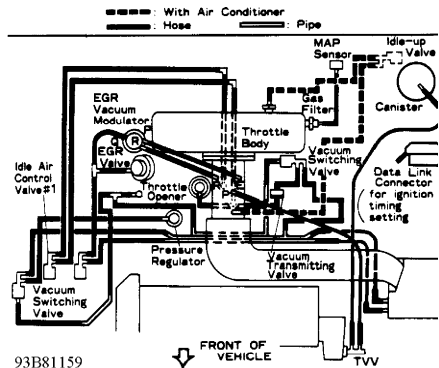
93J81156  
 Fig. 26: Vacuum Diagram (Tercel - Federal Models W/ Power Steering)  
 Courtesy of Toyota Motor Sales, U.S.A., Inc.



93J81157  
 Fig. 27: Vacuum Diagram (Tercel - Federal Models W/O Power Steering)  
 Courtesy of Toyota Motor Sales, U.S.A., Inc.



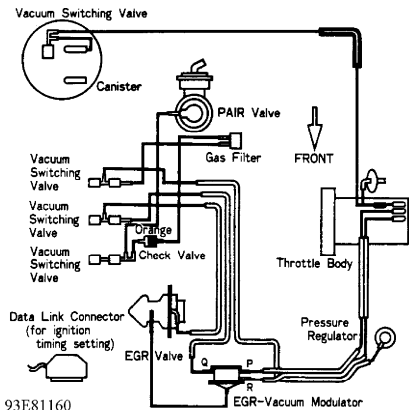
93A81158  
 Fig. 28: Vacuum Diagram (Tercel - Calif. Models W/ Power Steering)  
 Courtesy of Toyota Motor Sales, U.S.A., Inc.



93B81159

Fig. 29: Vacuum Diagram (Tercel - Calif. Models W/O Power Steering)  
 Courtesy of Toyota Motor Sales, U.S.A., Inc.

### T100



93F81160

Fig. 30: Vacuum Diagram (T100)  
 Courtesy of Toyota Motor Sales, U.S.A., Inc.