

# SEATS - POWER

## 1993 Toyota Celica

1993 ACCESSORIES/SAFETY EQUIPMENT  
Toyota Power Seats

Camry, Celica, Land Cruiser, Supra

### DESCRIPTION & OPERATION

#### CAMRY

Driver's seat cushion moves 6 ways (front up and down, rear up and down and slide forward and backward). See Fig. 1. Seat back reclines forward and backward. Switch controls power and ground circuits of power seat motors. Circuit breaker in power seat motor protects circuit.

#### CELICA

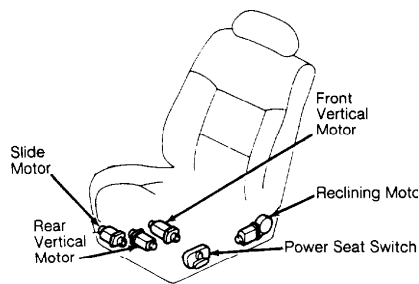
Driver's seat is equipped with an adjustable lumbar (lower back) support and side supports. See Fig. 2. System receives power through power main relay (near battery, in relay block No. 2). Switch controls power and ground circuits of power seat motors. Circuit breaker in power seat motor protects circuit.

#### LAND CRUISER

Both front seats move 6 ways (front up and down, rear up and down and slide forward and backward) and seat backs recline forward and backward. Driver's seat is also equipped with an adjustable lumbar (lower back) support. See Fig. 3. Switch controls power and ground circuits of power seat motors. Circuit breaker in power seat motor protects circuit.

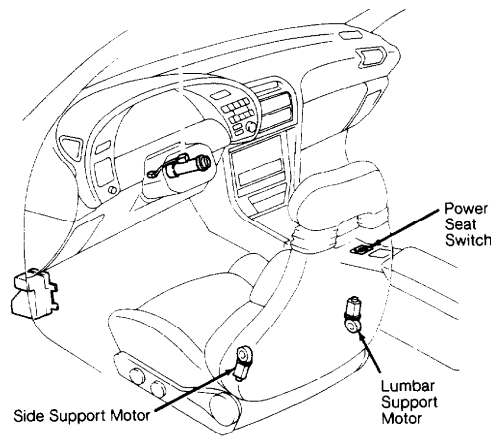
#### SUPRA

Driver's seat slides forward and backward and reclines forward and backward. Switch controls power and ground circuits of power seat motors. See Fig. 4. Circuit breaker in power seat motor protects circuit.



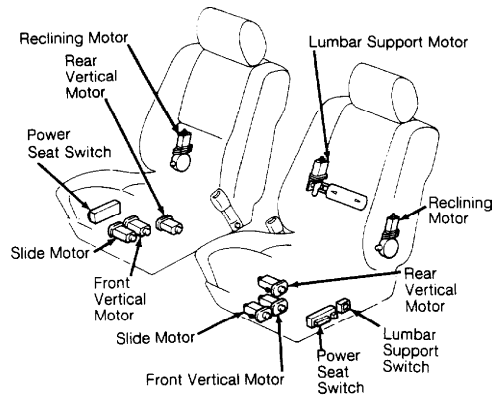
93184788

Fig. 1: Locating Power Seat Components (Camry)  
Courtesy of Toyota Motor Sales, U.S.A., Inc.



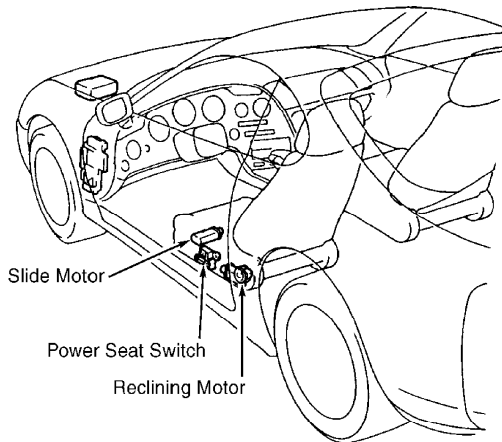
93J84789

Fig. 2: Locating Power Seat Components (Celica)  
 Courtesy of Toyota Motor Sales, U.S.A., Inc.



93C84790

Fig. 3: Locating Power Seat Components (Land Cruiser)  
 Courtesy of Toyota Motor Sales, U.S.A., Inc.



93D84791

Fig. 4: Locating Power Seat Components (Supra)  
 Courtesy of Toyota Motor Sales, U.S.A., Inc.

## TROUBLE SHOOTING

### CAMRY & SUPRA (SEAT DOES NOT MOVE IN ANY DIRECTION)

Check fuse, power seat switch and wiring harness.

### CAMRY & SUPRA (SEAT MOVES IN AT LEAST ONE DIRECTION)

Check power seat switch. Check appropriate power seat motor. Check wiring harness.

### CELICA (LUMBAR SEAT DOES NOT MOVE IN ANY DIRECTION)

Check fuses and power main relay. Check power seat switch and wiring harness.

### CELICA (LUMBAR SEAT MOVES IN AT LEAST ONE DIRECTION)

Check movement of appropriate power seat motor. Check circuit breaker of appropriate power seat motor. Check power seat switch and wiring harness.

### LAND CRUISER (LUMBAR SEAT DOES NOT MOVE IN ANY DIRECTION)

Check fuses and power main relay. Check power seat switch and wiring harness.

### LAND CRUISER (LUMBAR SEAT MOVES IN AT LEAST ONE DIRECTION)

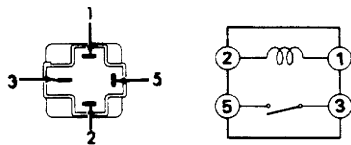
Check movement of appropriate power seat motor. Check circuit breaker of appropriate power seat motor. Check power seat switch and wiring harness.

## TESTING

### POWER MAIN RELAY TEST

Celica

Remove power main relay (near battery, in relay block No. 2). Check continuity between terminals No. 3 and 5. See Fig. 5. If there is continuity, replace relay. If there is no continuity, apply battery voltage across terminals No. 1 and 2. Check continuity between terminals No. 3 and 5. If there is no continuity, replace relay. If there is continuity, relay is okay.



93E84792

Fig. 5: Power Main Relay Terminal ID (Celica)  
Courtesy of Toyota Motor Sales, U.S.A., Inc.

### POWER SEAT MOTOR TEST

1) Disconnect power seat motor connector. Apply battery voltage across power seat motor connector terminals. Reverse polarity to move seat in opposite direction. If power seat motor does not operate, replace power seat motor.

2) If power seat motor operates, move seat fully in one direction until it stops. With seat stopped, keep battery voltage applied to terminals until circuit breaker is heard operating (4-60 seconds). If circuit breaker does not operate within 60 seconds, replace power seat motor.

3) If circuit breaker operates within 60 seconds, reverse polarity and wait until seat moves in opposite direction. If seat moves in opposite direction within 60 seconds, power seat motor is okay. If seat does not move in opposite direction within 60 seconds, replace power seat motor.

## POWER SEAT SWITCH TEST

Disconnect power seat switch connector. Check continuity between specified terminals of power seat switch connector. See appropriate POWER SEAT SWITCH CONTINUITY TEST table. Replace switch if continuity is not as specified. See Figs. 6-8.

POWER SEAT SWITCH CONTINUITY TEST TABLE (CAMRY)

Switch Position	(1) Terminals
Slide	
Forward .....	5 & 10; 8 & 9
Off .....	5 & 9; 8 & 9
Backward .....	5 & 9; 8 & 10
Front Up/Down	
Up .....	10 & 12; 4 & 11
Off .....	4 & 11; 4 & 12
Down .....	4 & 12; 10 & 11
Rear Up/Down	
Up .....	2 & 10; 6 & 7
Off .....	2 & 7; 6 & 7
Down .....	2 & 7; 6 & 10
Recline	
Forward .....	4 & 10; 7 & 9
Off .....	4 & 9; 7 & 9
Backward .....	4 & 9; 7 & 10

(1) - See Figs. 6-8.

POWER SEAT SWITCH CONTINUITY TEST TABLE (CELICA)

Switch Position	(1) Terminals
Lumbar	
Push (Outward) .....	2 & 7; 8 & 9
Off .....	2, 8 & 9
Release (Inward) .....	2 & 8; 7 & 9
Side Support	
Spread (Outward) .....	3 & 8; 5 & 7
Off .....	3, 5 & 8
Close (Inward) .....	3 & 7; 5 & 8

(1) - See Figs. 6-8.

POWER SEAT SWITCH CONTINUITY TEST TABLE (LAND CRUISER)

Switch Position	(1) Terminals
Slide	

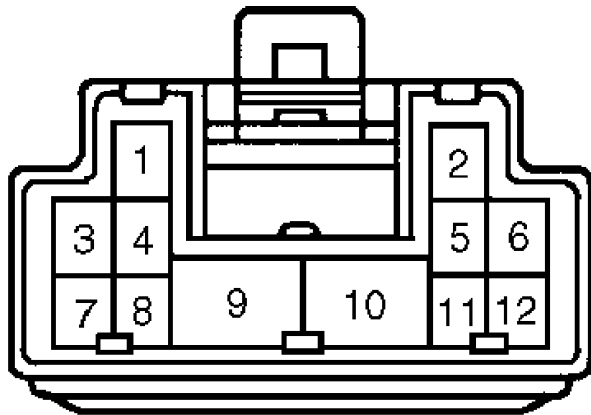
Forward	5 & 10; 8 & 9
Off	5, 8 & 9
Backward	5 & 9; 8 & 10
Front Up/Down	
Up	4 & 11; 10 & 12
Off	4, 11 & 12
Down	4 & 12; 10 & 11
Rear Up/Down	
Up	2 & 10; 6 & 7
Off	2, 6 & 7
Down	2 & 7; 6 & 10
Recline	
Forward	4 & 10; 7 & 9
Off	4, 7 & 9
Backward	4 & 9; 7 & 10
Lumbar	
Forward (Outward)	1 & 9; 3 & 10
Off	1, 3 & 9
Backward (Inward)	1 & 10; 3 & 9

(1) - See Figs. 6-8.

POWER SEAT SWITCH CONTINUITY TEST TABLE (SUPRA)

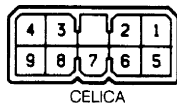
Switch Position	(1) Terminals
Slide	
Forward	A1 & A3; A2 & A4
Off	A1 & A3; A1 & A4
Backward	A1 & A4; A2 & A3
Recline	
Forward	A1 & B1; A2 & B2
Off	A1 & B1; A1 & B2
Backward	A1 & B2; A2 & B1

(1) - See Figs. 6-8.



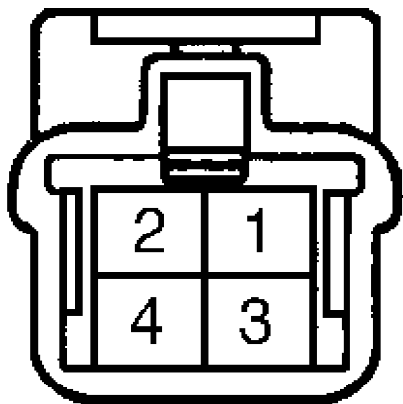
93F84793

Fig. 6: Power Seat Switch Connector Terminal ID  
 Courtesy of Toyota Motor Sales, U.S.A.



93G84794

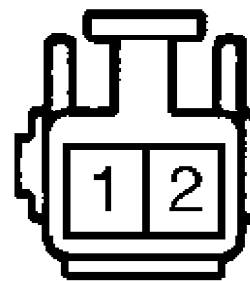
Fig. 7: Power Seat Switch Connector Terminal ID  
 Courtesy of Toyota Motor Sales, U.S.A.



CONNECTOR "A"

93H84795

Fig. 8: Power Seat Switch Connector Terminal ID  
 Courtesy of Toyota Motor Sales, U.S.A.



CONNECTOR "B"

**WIRING DIAGRAMS**

See appropriate chassis wiring diagram in WIRING DIAGRAMS section.