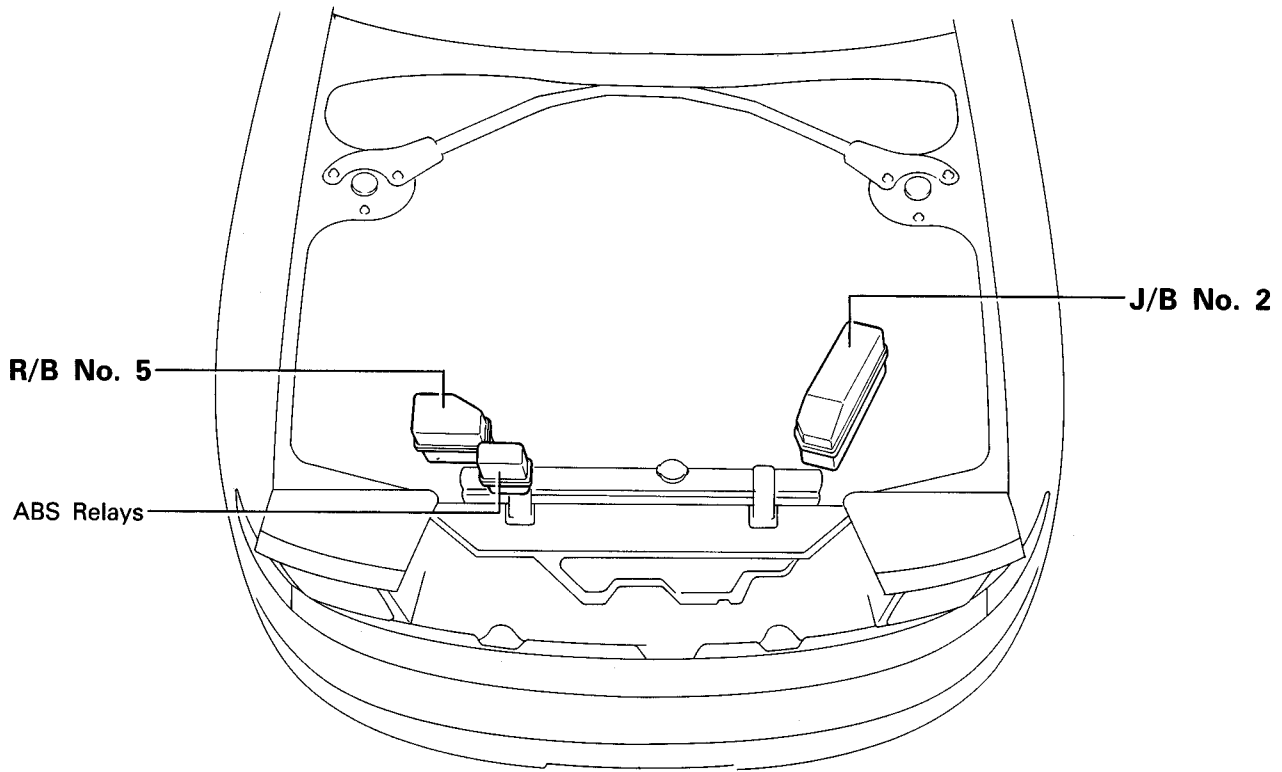
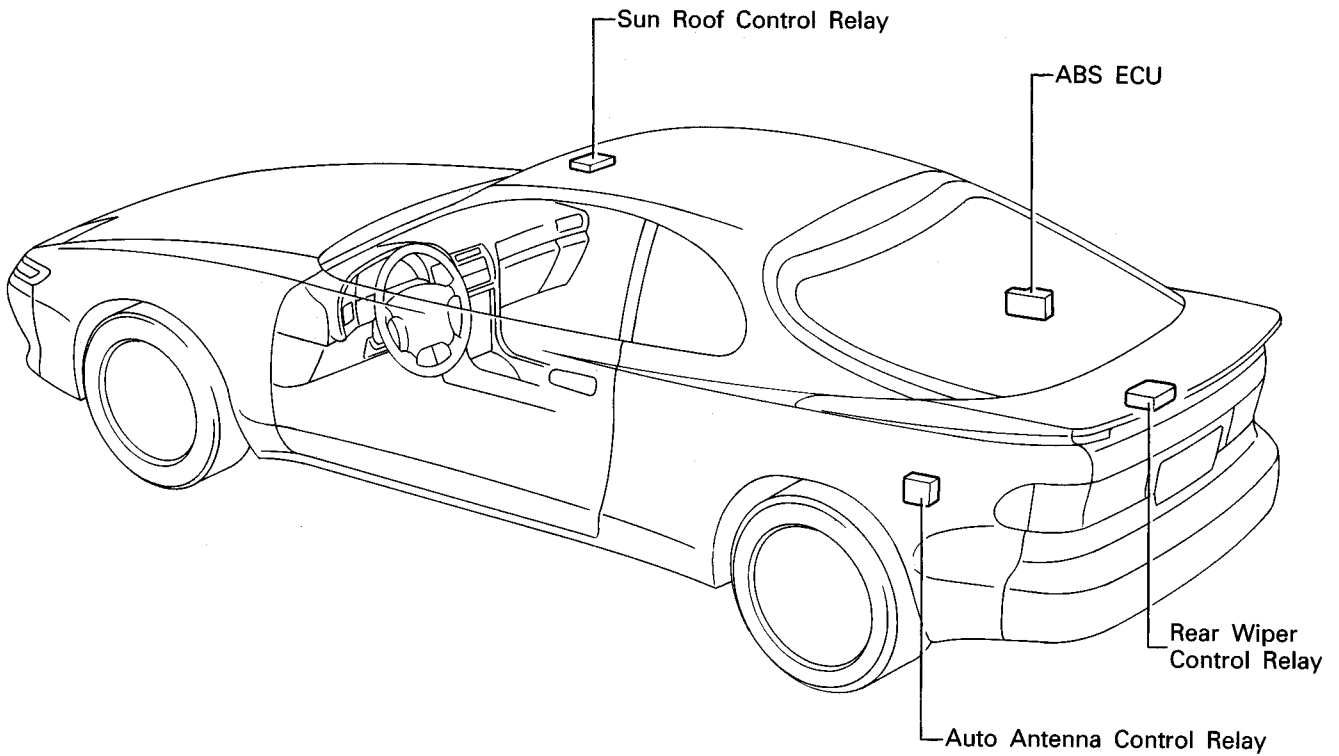


RELAY LOCATIONS

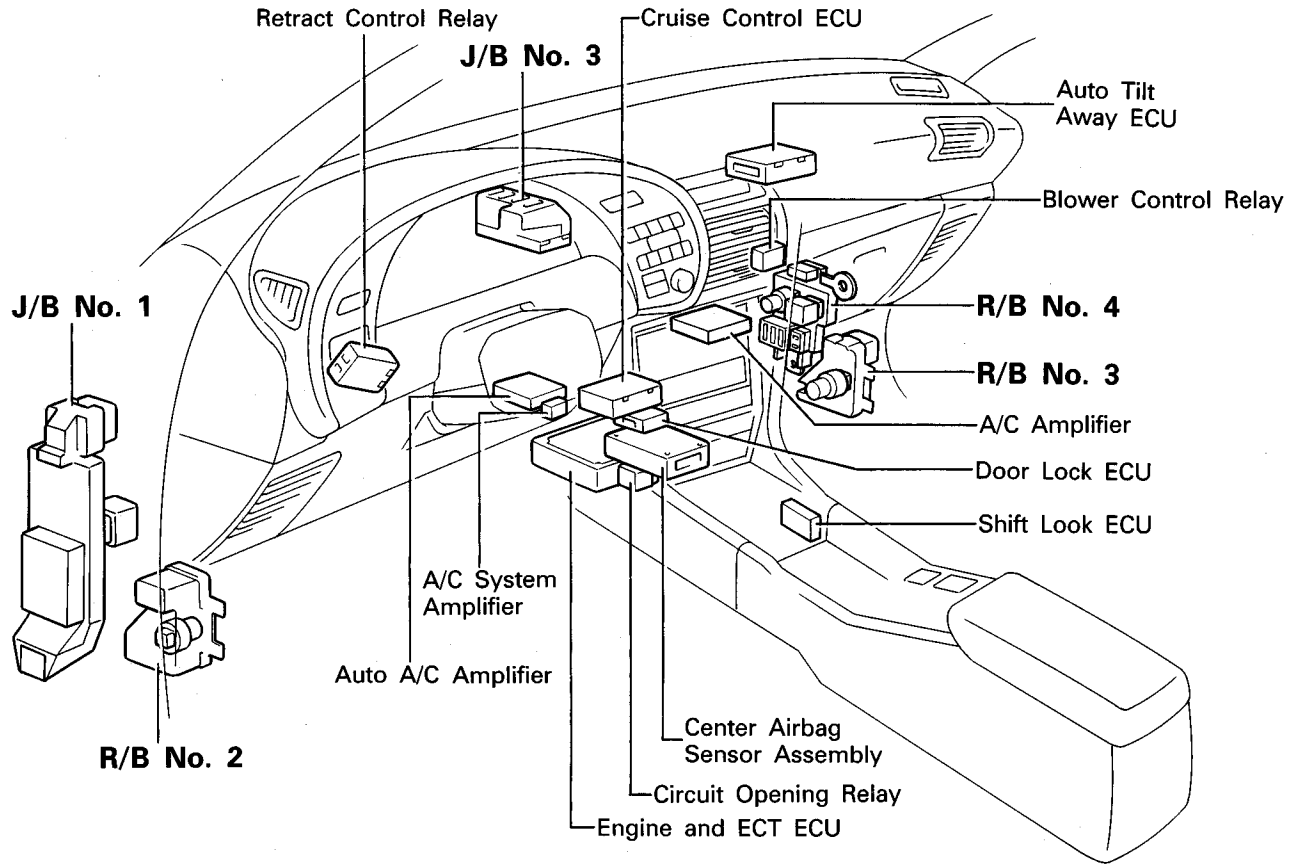
[Engine Compartment]



[Body]

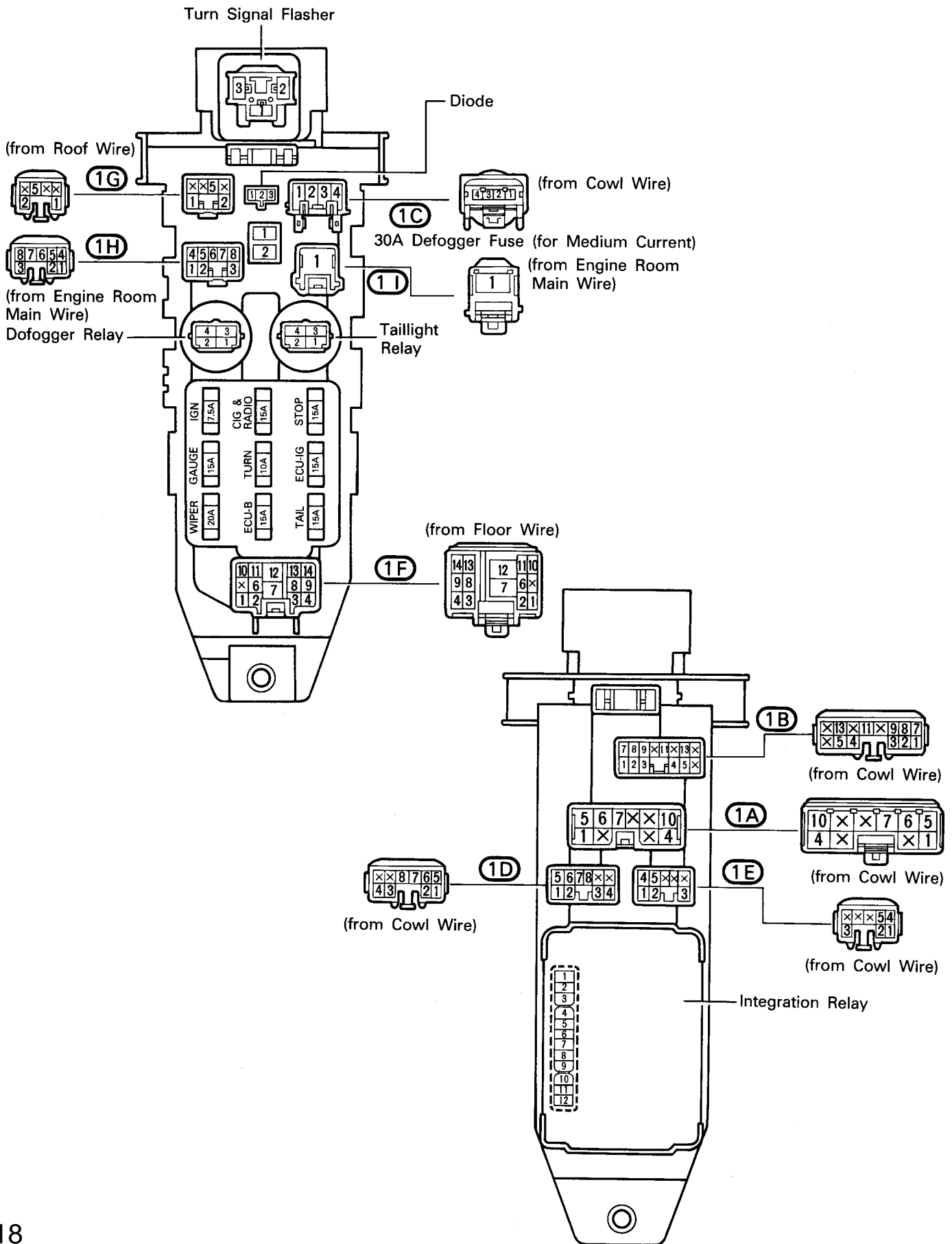


[Instrument Panel]

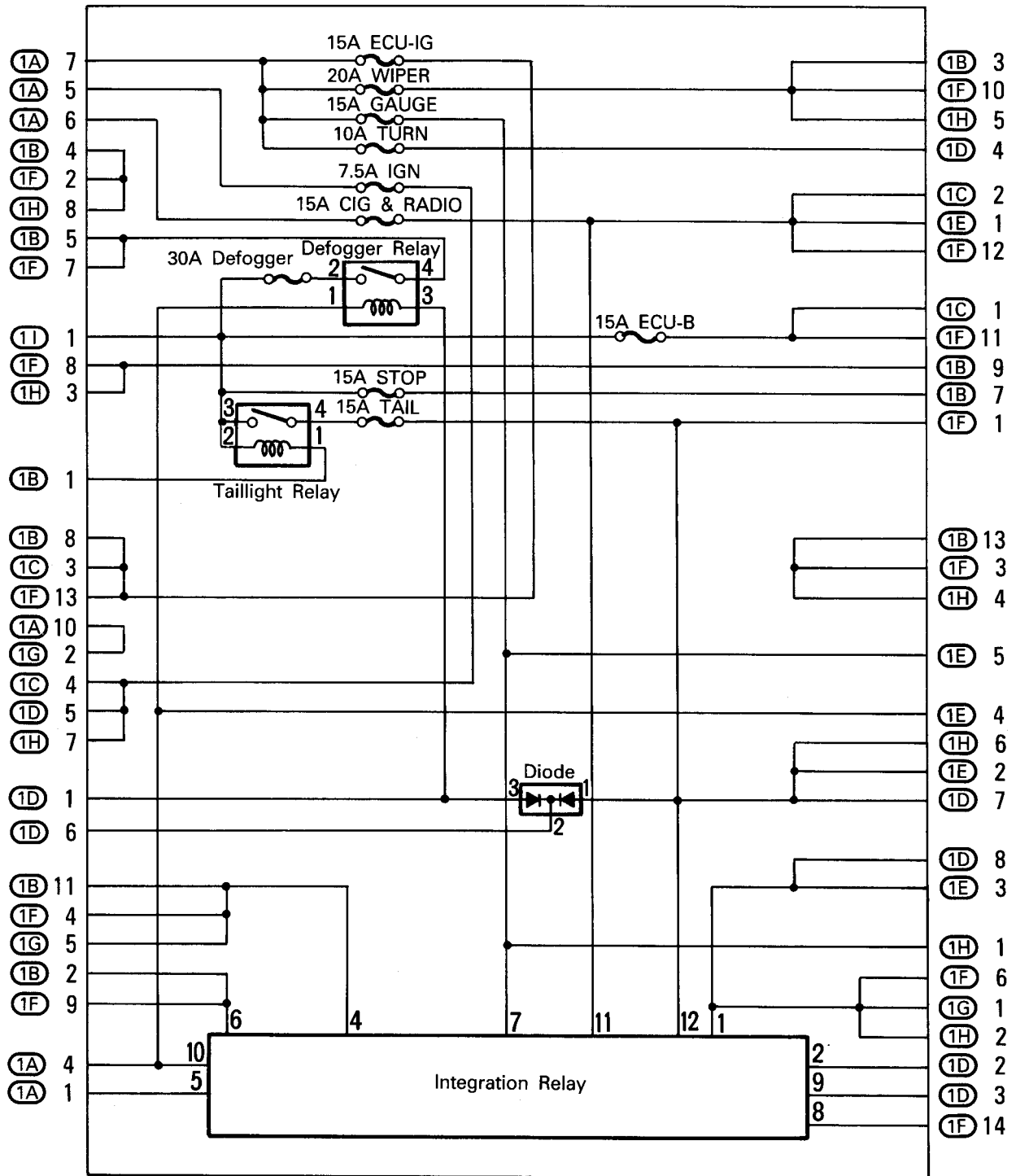


RELAY LOCATIONS

○ : J/B No. 1 Left Kick Panel (See Page 17)

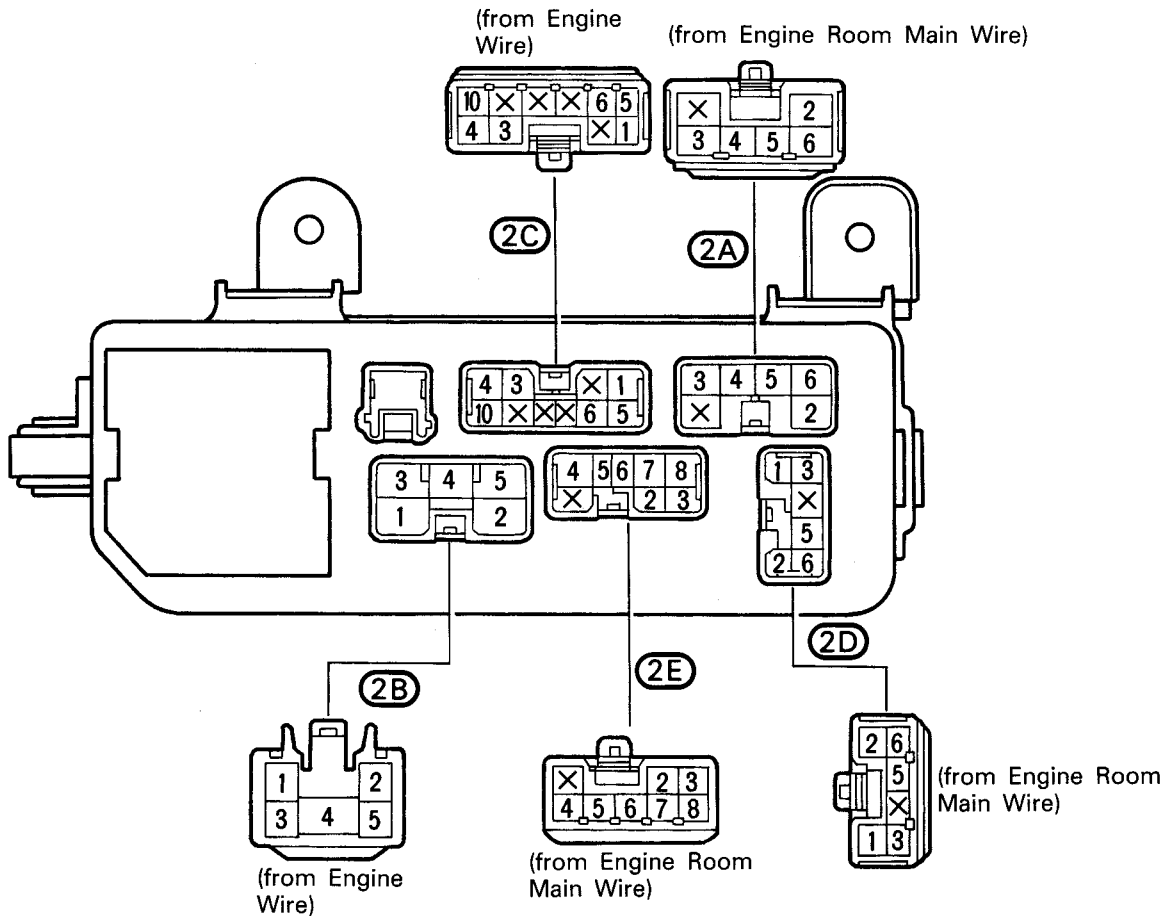
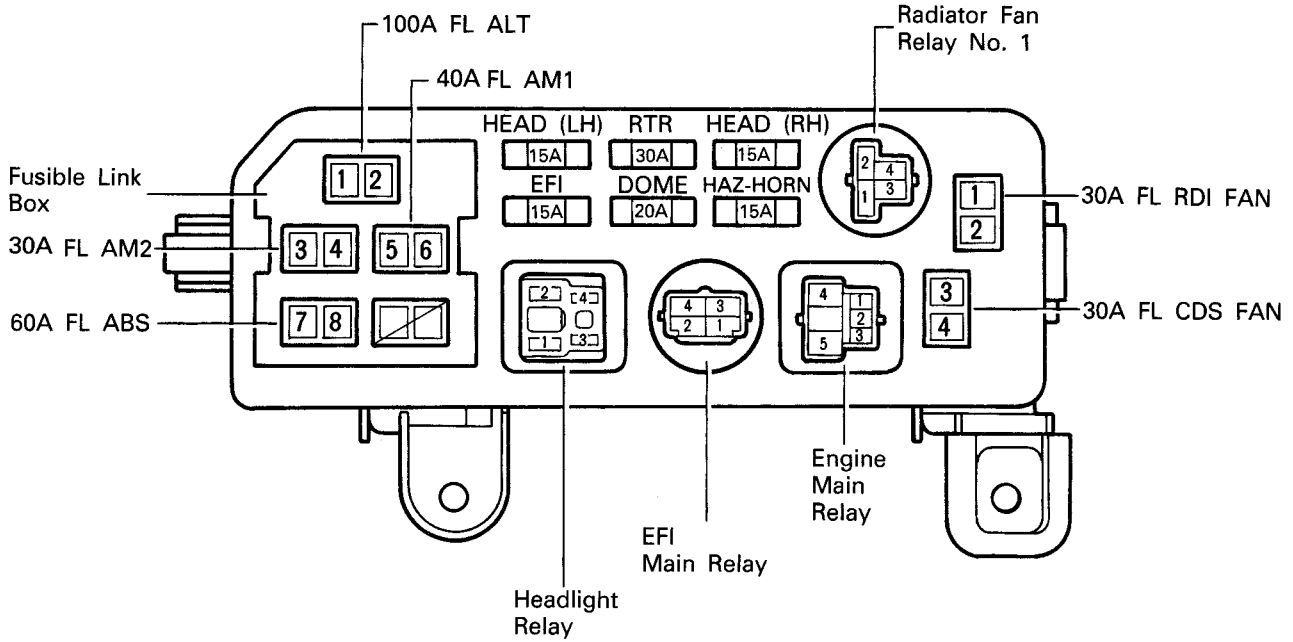


[J/B No. 1 Inner Circuit]

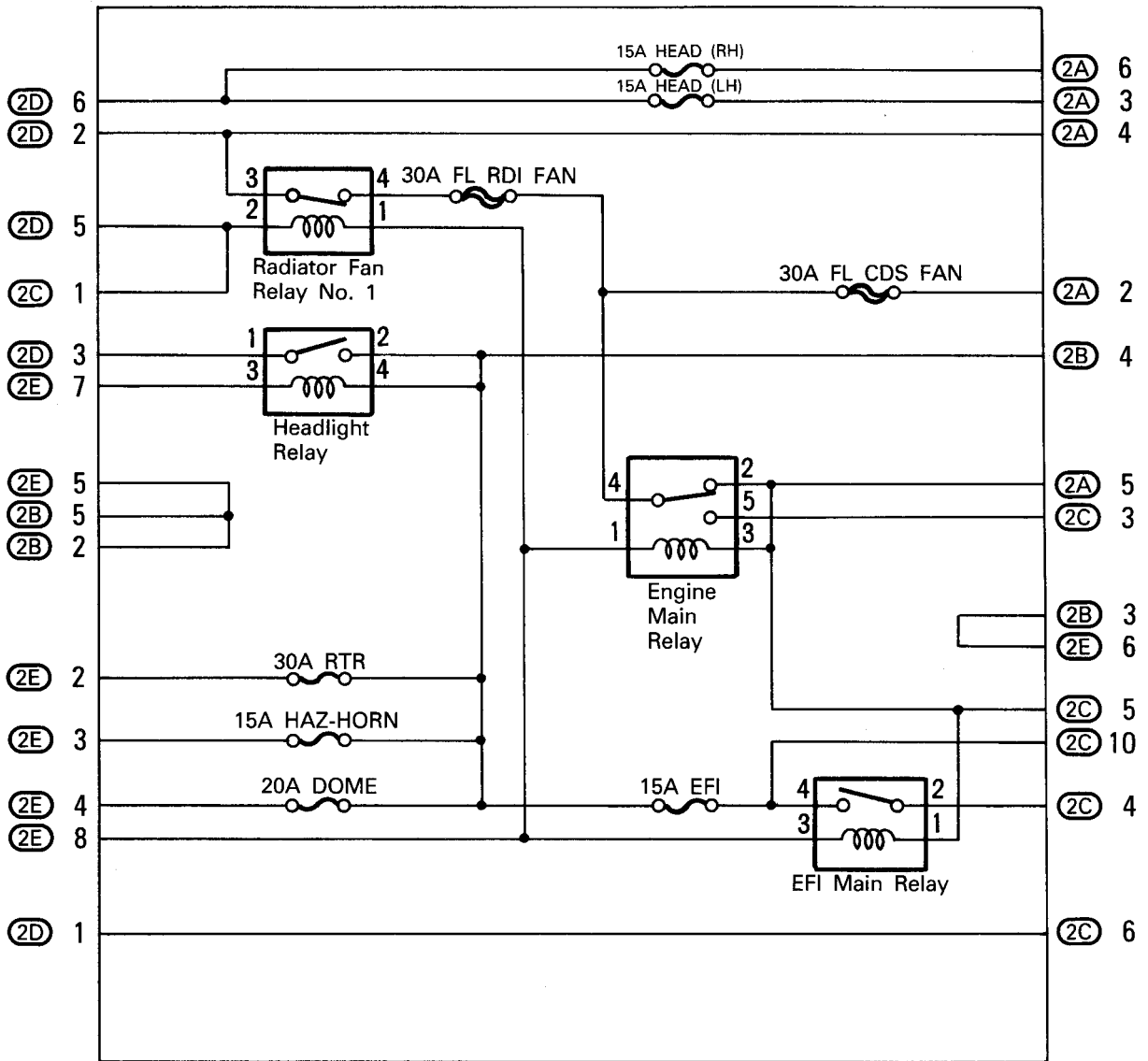


RELAY LOCATIONS

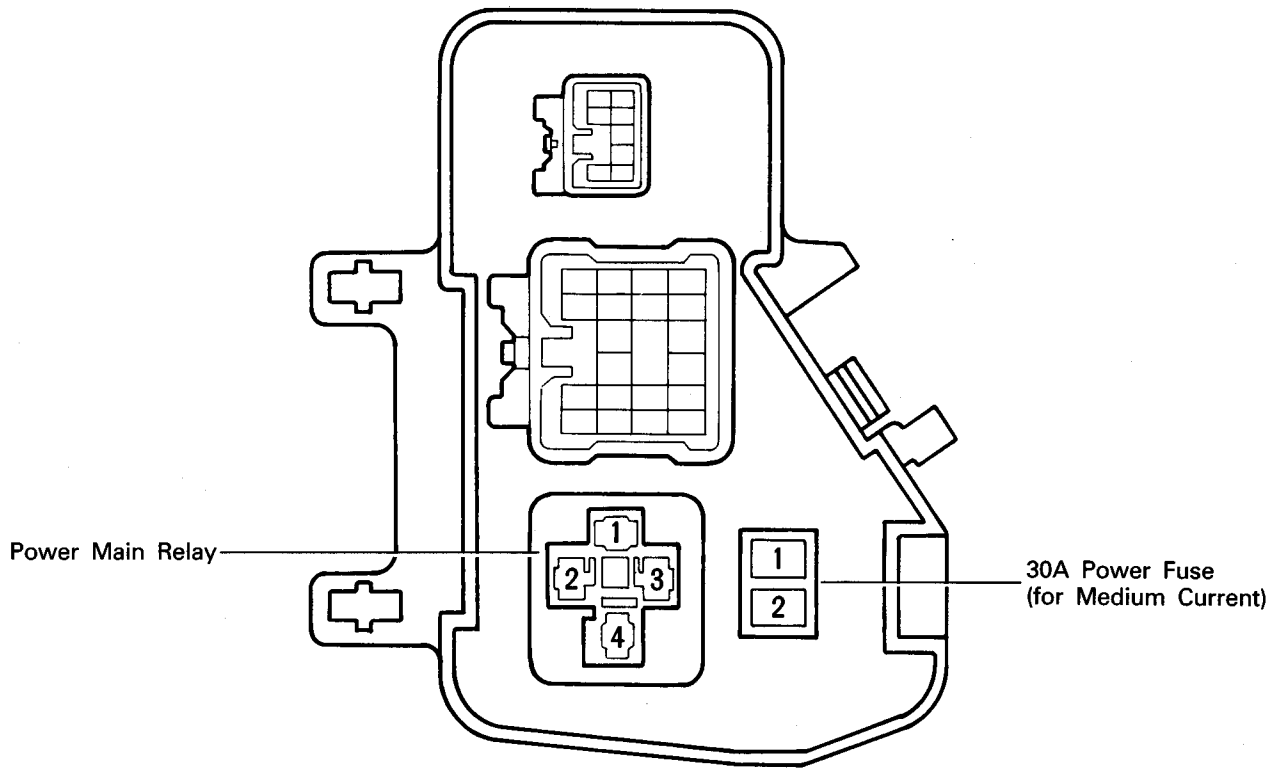
○ : J/B No. 2 Near the Battery (See Page 16)



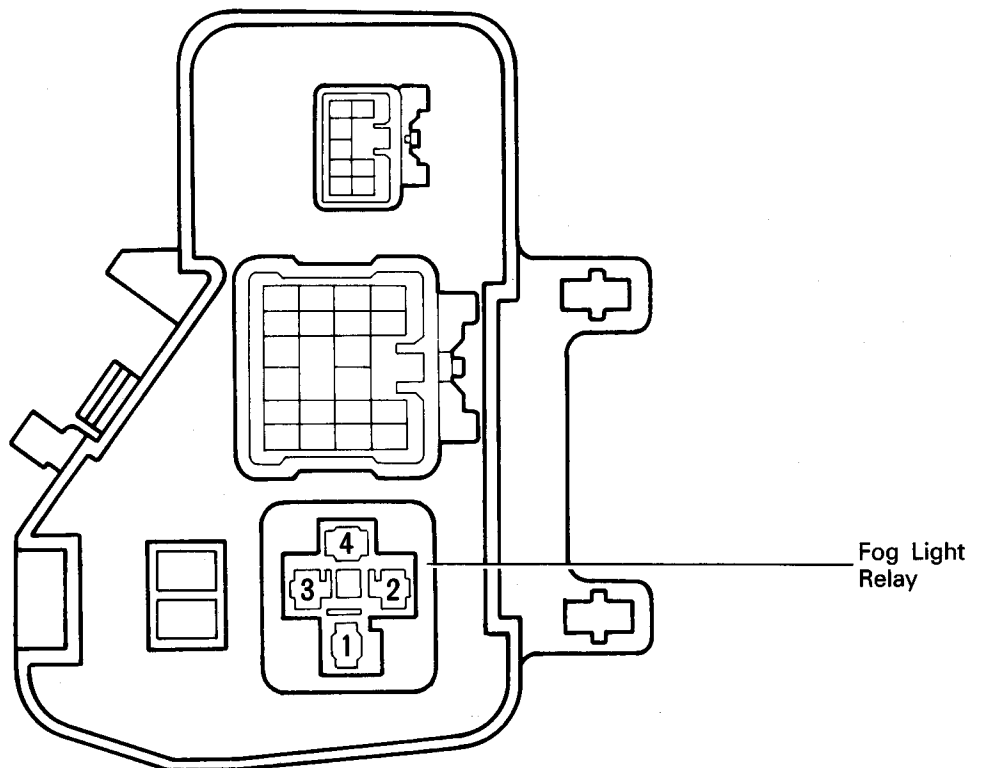
[J/B No. 2 Inner Circuit]



② : R/B No. 2	Left Kick Panel	(See Page 17)
---------------	-----------------	---------------

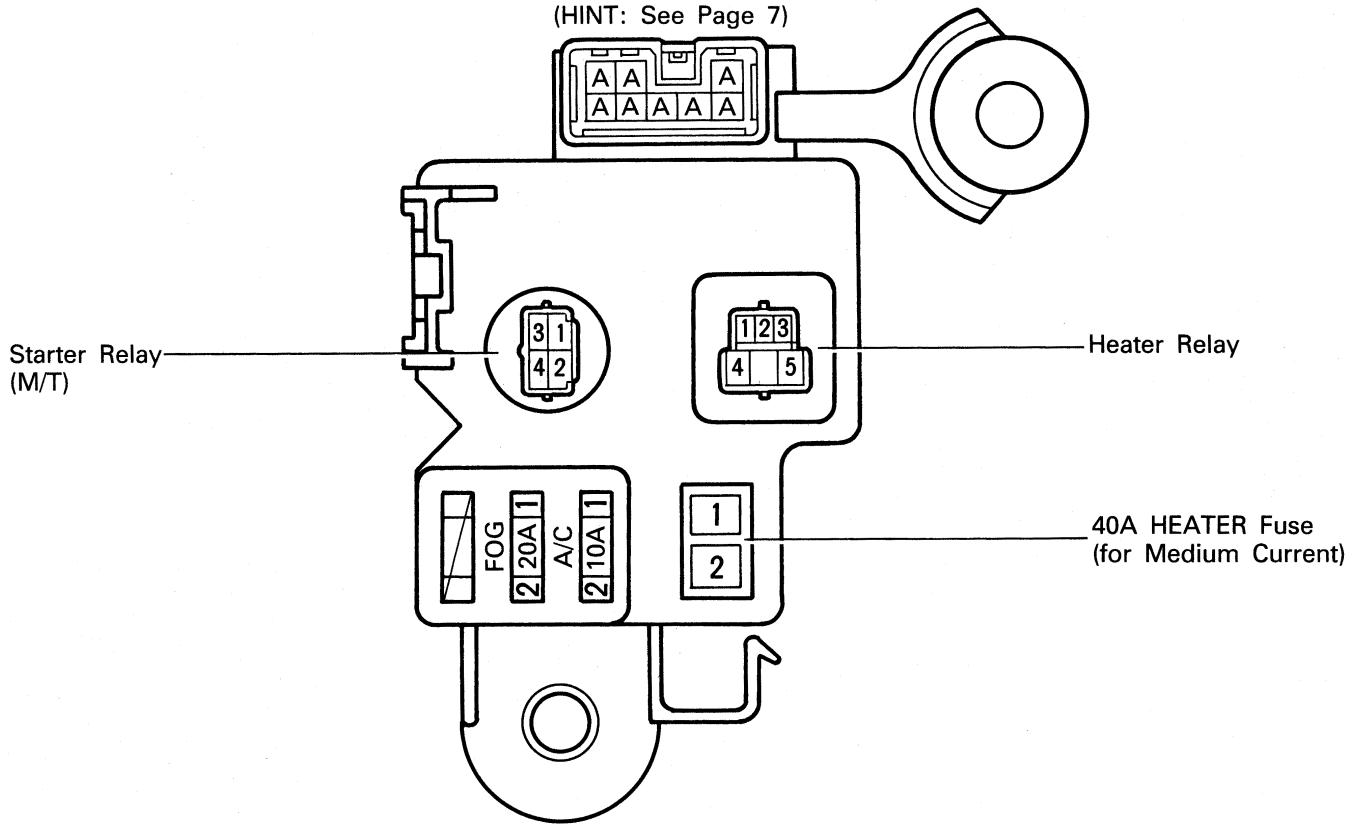


③ : R/B No. 3	Right Kick Panel	(See Page 17)
---------------	------------------	---------------



RELAY LOCATIONS

④ : R/B No. 4 Right Kick Panel (See Page 17)



⑤ : R/B No. 5 Engine Compartment Front Right (See Page 16)

