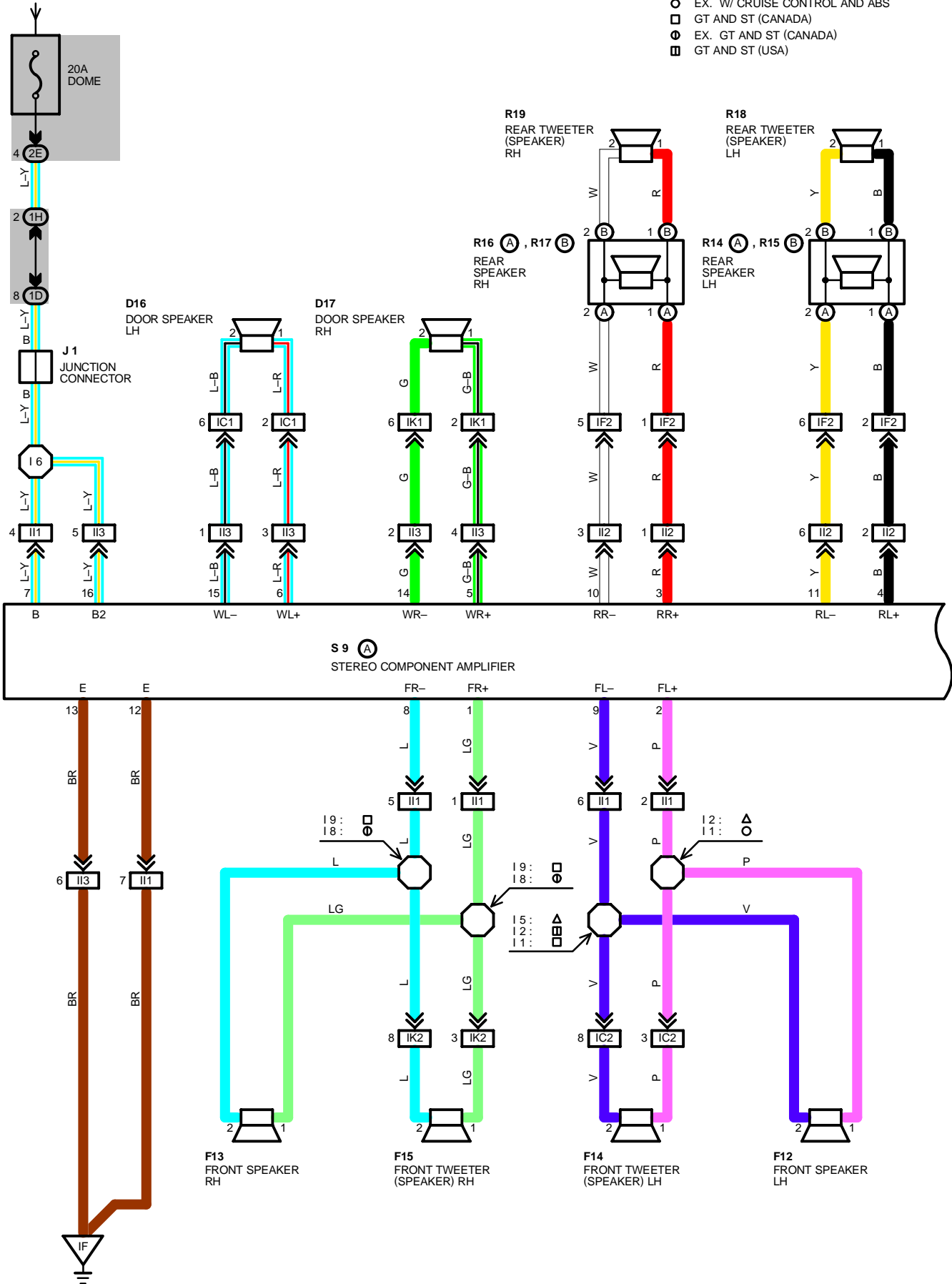


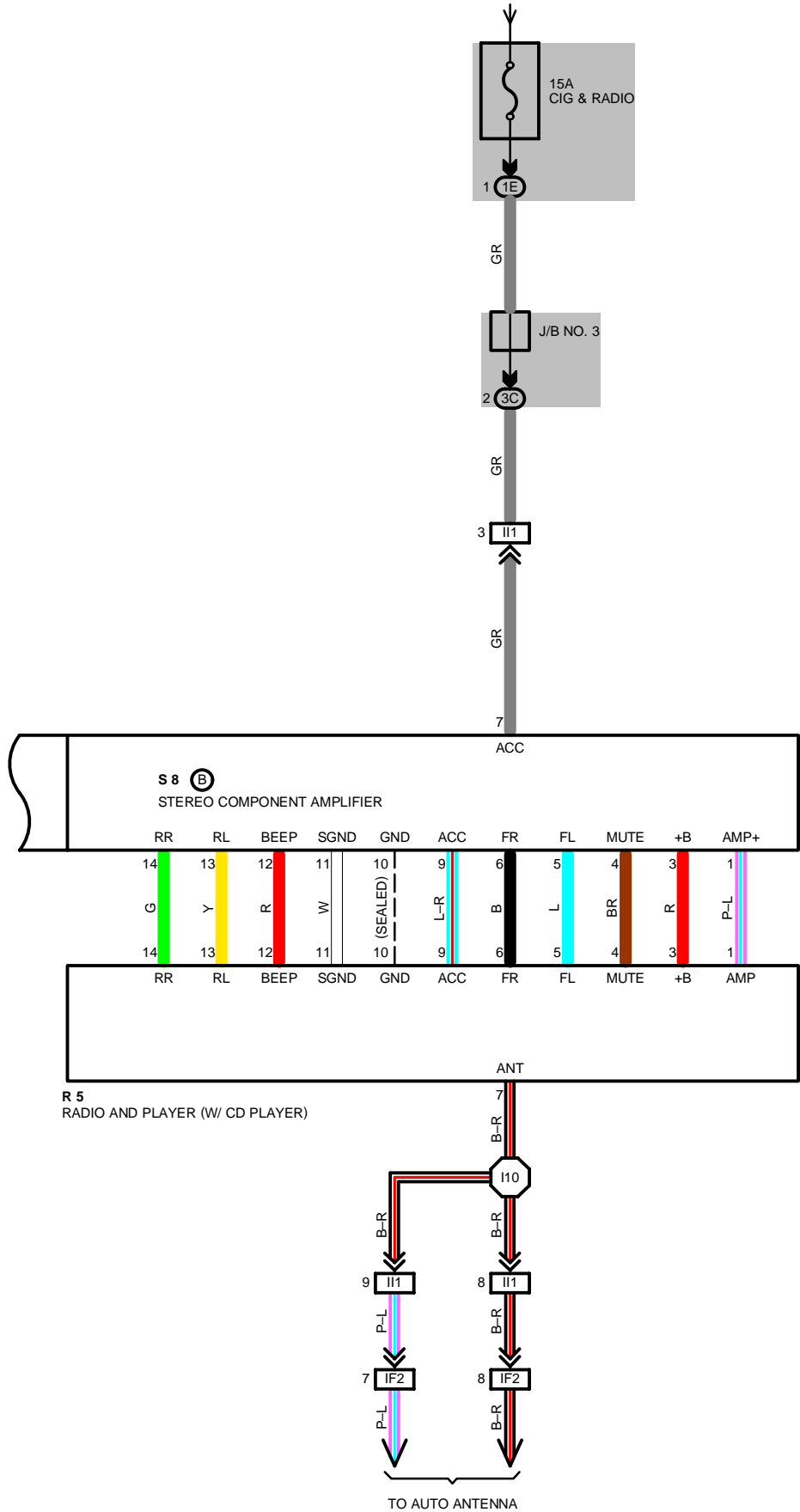
RADIO AND PLAYER (w/ CD PLAYER)

FROM POWER SOURCE SYSTEM (SEE PAGE 52)

- △ W/ CRUISE CONTROL AND ABS
- EX. W/ CRUISE CONTROL AND ABS
- GT AND ST (CANADA)
- ⊖ EX. GT AND ST (CANADA)
- ▣ GT AND ST (USA)



FROM POWER SOURCE SYSTEM (SEE PAGE 52)



RADIO AND PLAYER (w/ CD PLAYER)

SERVICE HINTS

S 8 (B), S 9 (A) POWER AMPLIFIER

(A) 7, (A)16-GROUND : ALWAYS APPROX. 12 VOLTS

(B) 7-GROUND : APPROX. 12 VOLTS WITH IGNITION SW AT ON OR ACC POSITION

(A)12, (A)13-GROUND : ALWAYS CONTINUITY

○ : PARTS LOCATION

| CODE | SEE PAGE | CODE | SEE PAGE | CODE | SEE PAGE |
|------|--------------------|------|--------------------|------|--------------------|
| D16 | 30 (L/B), 31 (C/P) | J 1 | 29 | R18 | 30 (L/B), 31 (C/P) |
| D17 | 30 (L/B), 31 (C/P) | R 5 | 29 | R19 | 30 (L/B), 31 (C/P) |
| F12 | 29 | R14 | 30 (L/B), 31 (C/P) | S 8 | B 29 |
| F13 | 29 | R15 | 30 (L/B), 31 (C/P) | S 9 | A 29 |
| F14 | 30 (L/B), 31 (C/P) | R16 | 30 (L/B), 31 (C/P) | | |
| F15 | 30 (L/B), 31 (C/P) | R17 | 30 (L/B), 31 (C/P) | | |

○ : JUNCTION BLOCK AND WIRE HARNESS CONNECTOR

| CODE | SEE PAGE | JUNCTION BLOCK AND WIRE HARNESS (CONNECTOR LOCATION) |
|------|----------|---|
| 1D | 18 | COWL WIRE AND J/B NO. 1 (LEFT KICK PANEL) |
| 1E | | |
| 1H | 18 | ENGINE ROOM MAIN WIRE AND J/B NO.1 (LEFT KICK PANEL) |
| 2E | 20 | ENGINE ROOM MAIN WIRE AND J/B NO.2 (NEAR THE BATTERY) |
| 3C | 22 | COWL WIRE AND J/B NO. 3 (BEHIND COMBINATION METER) |

□ : CONNECTOR JOINING WIRE HARNESS AND WIRE HARNESS

| CODE | SEE PAGE | JOINING WIRE HARNESS AND WIRE HARNESS (CONNECTOR LOCATION) |
|------|----------|--|
| IC1 | 36 | FRONT DOOR LH WIRE AND COWL WIRE (LEFT KICK PANEL) |
| IC2 | | |
| IF2 | 36 | FLOOR WIRE AND COWL WIRE (LEFT KICK PANEL) |
| II1 | 36 | COWL WIRE AND CONSOLE BOX WIRE (INSTRUMENT PANEL CENTER) |
| II2 | | |
| II3 | | |
| IK1 | 36 | FRONT DOOR RH WIRE AND COWL WIRE (RIGHT KICK PANEL) |
| IK2 | | |

▽ : GROUND POINTS

| CODE | SEE PAGE | GROUND POINTS LOCATION |
|------|----------|---------------------------|
| IF | 36 | INSTRUMENT PANEL BRACE RH |

○ : SPLICE POINTS

| CODE | SEE PAGE | WIRE HARNESS WITH SPLICE POINTS | CODE | SEE PAGE | WIRE HARNESS WITH SPLICE POINTS |
|------|----------|---------------------------------|------|------------------|---------------------------------|
| I 1 | 36 | COWL WIRE | I 8 | 36 | COWL WIRE |
| I 2 | | | I 9 | | |
| I 5 | | | I 10 | CONSOLE BOX WIRE | |
| I 6 | | | | | |

D16, D17



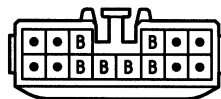
F12, F13



F14, F15

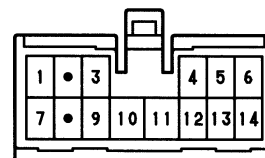


J 1



(HINT:SEE PAGE 7)

R 5



R14 (A), R16 (B)



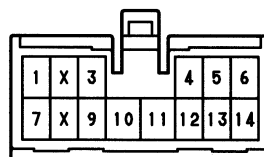
R15 (A), R17 (B)



R18, R19



S 8 (B)



S 9 (A)

