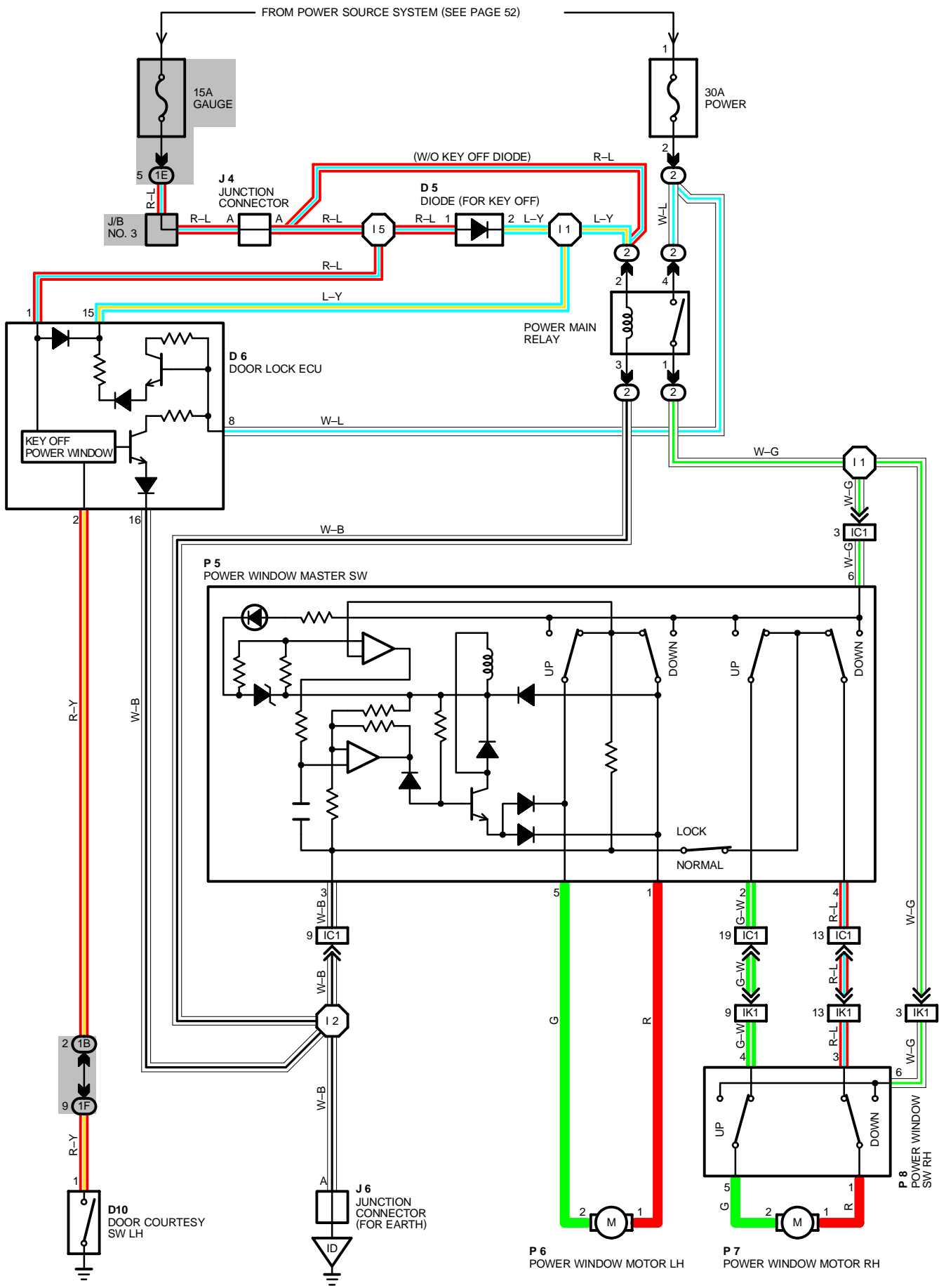


# POWER WINDOW



## SYSTEM OUTLINE

CURRENT ALWAYS FLOWS **TERMINAL 4** OF THE POWER MAIN RELAY THROUGH THE POWER FUSE. WITH THE IGNITION SW TURNED ON, CURRENT FLOWS THROUGH THE GAUGE FUSE TO **TERMINAL 2** OF THE POWER MAIN RELAY → **TERMINAL 3** → TO **GROUND**. THIS ACTIVATES THE RELAY AND CURRENT FLOWING TO **TERMINAL 1** OF THE POWER MAIN RELAY → TO **TERMINAL 6** OF THE POWER WINDOW MASTER SW AND **TERMINAL 5** OF THE POWER WINDOW SW RH (PASSENGER'S).

### 1. MANUAL UP OPERATION (DRIVER'S WINDOW)

WITH THE IGNITION SW TURNED ON AND WITH THE POWER WINDOW MASTER SW IN **UP** POSITION, THE CURRENT FLOWING TO **TERMINAL 6** OF THE POWER WINDOW MASTER SW FLOWS TO **TERMINAL 5** OF THE MASTER SW → **TERMINAL 2** OF THE POWER WINDOW MOTOR LH (DRIVER'S) → MOTOR → **TERMINAL 1** → **TERMINAL 1** OF THE MASTER SW → **TERMINAL 3** → TO **GROUND** AND CAUSES THE POWER WINDOW MOTOR TO ROTATE IN THE UP DIRECTION. THE WINDOW ASCENDS ONLY WHILE THE SW IS BEING PUSHED. IN DOWN OPERATION, THE FLOW OF CURRENT FROM **TERMINAL 6** OF THE POWER WINDOW MASTER SW TO **TERMINAL 1** OF THE MASTER SW CAUSES THE FLOW OF CURRENT FROM **TERMINAL 1** OF THE MOTOR → MOTOR → **TERMINAL 2** → **TERMINAL 5** OF THE MASTER SW → **TERMINAL 3** → TO **GROUND**, FLOWING IN THE OPPOSITE DIRECTION TO MANUAL UP OPERATION AND CAUSING THE MOTOR TO ROTATE IN REVERSE, LOWERING THE WINDOW.

### 2. AUTO DOWN OPERATION

WITH THE IGNITION SW ON AND WITH THE DRIVER'S SW OF THE POWER WINDOW MASTER SW IN **DOWN** POSITION, CURRENT FLOWING TO **TERMINAL 6** OF THE MASTER SW FLOWS TO **TERMINAL 1** OF THE MASTER SW → **TERMINAL 1** OF THE POWER WINDOW MOTOR → MOTOR → **TERMINAL 2** → **TERMINAL 5** OF THE MASTER SW → **TERMINAL 3** → TO **GROUND**, CAUSING THE MOTOR TO ROTATE TOWARDS THE DOWN SIDE. THEN THE SOLENOID IN THE MASTER SW IS ACTIVATED AND IT LOCKS THE DRIVER'S SW BEING PUSHED, CAUSING THE MOTOR TO CONTINUE TO ROTATE IN AUTO DOWN OPERATION.

WHEN THE WINDOW HAS COMPLETELY DESCENDED, THE CURRENT FLOW BETWEEN **TERMINAL 5** OF THE MASTER SW AND **TERMINAL 3** INCREASES. AS A RESULT, THE SOLENOID STOPS OPERATING, THE DRIVER'S SW TURNS OFF AND FLOW FROM **TERMINAL 6** OF THE MASTER SW TO **TERMINAL 1** IS CUT OFF, STOPPING THE MOTOR SO THAT AUTO STOP OCCURS.

### 3. STOPPING OF AUTO DOWN AT DRIVER'S WINDOW

WHEN THE DRIVER'S SW IS PUSHED TO THE UP SIDE DURING AUTO DOWN OPERATION, A GROUND CIRCUIT OPENS IN THE MASTER SW AND CURRENT DOES NOT FLOW FROM **TERMINAL 5** OF THE MASTER SW → TO **TERMINAL 3**, SO THE MOTOR STOPS, CAUSING AUTO DOWN OPERATION TO STOP. IF THE DRIVER'S SW IS PUSHED CONTINUOUSLY, THE MOTOR ROTATES IN THE UP DIRECTION IN MANUAL UP OPERATION.

### 4. MANUAL OPERATION BY POWER WINDOW SW (PASSENGER'S WINDOW)

WITH POWER WINDOW SW (PASSENGER'S) PUSHED TO THE UP SIDE, CURRENT FLOWING FROM **TERMINAL 6** OF THE POWER WINDOW SW FLOWS TO **TERMINAL 5** OF THE POWER WINDOW SW → **TERMINAL 2** OF THE WINDOW MOTOR → MOTOR → **TERMINAL 1** → **TERMINAL 1** OF THE POWER WINDOW SW → **TERMINAL 3** → **TERMINAL 4** OF THE MASTER SW → **TERMINAL 3** → TO **GROUND** AND CAUSES THE POWER WINDOW MOTOR (PASSENGER'S) TO ROTATE IN THE UP DIRECTION. UP OPERATION CONTINUES ONLY WHILE THE POWER WINDOW SW IS PUSHED TO THE UP SIDE. WHEN THE WINDOW DESCENDS, THE CURRENT FLOWING TO THE MOTOR FLOWS IN THE OPPOSITE DIRECTION, FLOW **TERMINAL 1** → MOTOR → TO **TERMINAL 2**, AND THE MOTOR ROTATES IN REVERSE. WHEN THE WINDOW LOCK SW IS PUSHED TO THE LOCK SIDE, THE GROUND CIRCUIT TO THE PASSENGER'S WINDOW BECOMES OPEN.

AS A RESULT, EVEN IF OPEN/CLOSE OPERATION OF THE PASSENGER'S WINDOW IS TRIED, THE CURRENT FROM **TERMINAL 6** OF THE POWER WINDOW MASTER SW IS NOT GROUNDED AND THE MOTOR DOES NOT ROTATE, SO THE PASSENGER'S WINDOW CAN NOT BE OPERATED AND WINDOW LOCK OCCURS.

### 5. KEY OFF POWER WINDOW OPERATION

WITH THE IGNITION SW TURNED FROM ON TO OFF, THE DOOR CONTROL RELAY OPERATES AND CURRENT FLOWS FROM POWER FUSE → **TERMINAL 8** OF THE DOOR CONTROL RELAY → **TERMINAL 15** → **TERMINAL 2** OF THE POWER MAIN RELAY → **TERMINAL 3** → TO **GROUND** FOR ABOUT **60** SECONDS. THE SAME AS NORMAL OPERATION, THE CURRENT FLOWS FROM POWER FUSE → **TERMINAL 4** OF THE POWER MAIN RELAY → **TERMINAL 1** → **TERMINAL 6** OF THE POWER WINDOW MASTER SW AND **TERMINAL 1** OF THE POWER MAIN RELAY → TO **TERMINAL 6** OF POWER WINDOW SW RH (PASSENGER'S). AS A RESULT, FOR ABOUT **60** SECONDS AFTER THE IGNITION SW IS TURNED OFF. IT IS POSSIBLE TO RAISE AND LOWER THE POWER WINDOW BY THE FUNCTIONING OF THIS RELAY. ALSO, BY OPENING THE DOOR (DOOR COURTESY SW ON) WITHIN ABOUT **60** SECONDS AFTER TURNING THE IGNITION SW TO OFF. A SIGNAL IS INPUT TO **TERMINAL 2** OF DOOR CONTROL RELAY. AS A RESULT, THE RELAY TURNS OFF AND UP AND DOWN OF THE MOVEMENT OF THE WINDOWS STOPS.

# POWER WINDOW

## SERVICE HINTS

### D 6 DOOR LOCK ECU

- 8-GROUND : ALWAYS APPROX. 12 VOLTS
- 16-GROUND: ALWAYS CONTINUITY
- 1-GROUND : APPROX. 12 VOLTS WITH IGNITION SW AT **ON** POSITION
- 2-GROUND : CONTINUITY WITH DOOR OPENED
- 15-GROUND: APPROX. 12 VOLTS WITH IGNITION SW ON AND STAYS AT 12 VOLTS FOR 60 SECONDS AFTER THE IGNITION SW IS TURNED OFF, BUT IF A DOOR IS OPENED IN THIS 60 SECONDS PERIOD, VOLTAGE WILL DROP TO 0 VOLTS

### D10 DOOR COURTESY SW

- 1-GROUND: CONTINUITY WITH DOOR OPEN

### P 8 POWER WINDOW SW (PASSENGER'S)

- 6-GROUND: APPROX. 12 VOLTS WITH IGNITION SW ON AND STAYS AT 12 VOLTS FOR 60 SECONDS AFTER THE IGNITION SW IS TURNED OFF, BUT IF A DOOR IS OPENED IN THIS 60 SECONDS PERIOD, VOLTAGE WILL DROP TO 0 VOLTS

### P 5 POWER WINDOW MASTER SW

- 3-GROUND : ALWAYS CONTINUITY
- 6-GROUND : APPROX. 12 VOLTS WITH IGNITION SW ON AND STAYS AT 12 VOLTS FOR 60 SECONDS AFTER THE IGNITION SW IS TURNED OFF, BUT IF A DOOR IS OPENED IN THIS 60 SECONDS PERIOD, VOLTAGE WILL DROP TO 0 VOLTS
- 5-GROUND : APPROX. 12 VOLTS WITH IGNITION SW AT **ON** POSITION AND MASTER SW AT **UP** POSITION
- 1-GROUND : APPROX. 12 VOLTS WITH IGNITION SW AT **ON** POSITION AND MASTER SW AT **DOWN** OR **AUTO DOWN** POSITION

### WINDOW LOCK SW

- OPEN WITH WINDOW LOCK SW AT **LOCK** POSITION

## ○ : PARTS LOCATION

| CODE | SEE PAGE           | CODE | SEE PAGE           | CODE | SEE PAGE           |
|------|--------------------|------|--------------------|------|--------------------|
| D 5  | 28                 | J 4  | 29                 | P 6  | 30 (L/B), 31 (C/P) |
| D 6  | 28                 | J 6  | 29                 | P 7  | 30 (L/B), 31 (C/P) |
| D10  | 30 (L/B), 31 (C/P) | P 5  | 30 (L/B), 31 (C/P) | P 8  | 30 (L/B), 31 (C/P) |

## ○ : RELAY BLOCKS

| CODE | SEE PAGE | RELAY BLOCKS (RELAY BLOCK LOCATION) |
|------|----------|-------------------------------------|
| 2    | 23       | R/B NO. 2 (LEFT KICK PANEL)         |

## ○ : JUNCTION BLOCK AND WIRE HARNESS CONNECTOR

| CODE | SEE PAGE | JUNCTION BLOCK AND WIRE HARNESS (CONNECTOR LOCATION) |
|------|----------|------------------------------------------------------|
| 1B   | 18       | COWL WIRE AND J/B NO. 1 (LEFT KICK PANEL)            |
| 1E   |          |                                                      |
| 1F   | 18       | FLOOR WIRE AND J/B NO. 1 (LEFT KICK PANEL)           |

## □ : CONNECTOR JOINING WIRE HARNESS AND WIRE HARNESS

| CODE | SEE PAGE | JOINING WIRE HARNESS AND WIRE HARNESS (CONNECTOR LOCATION) |
|------|----------|------------------------------------------------------------|
| IC1  | 36       | FRONT DOOR LH WIRE AND COWL WIRE (LEFT KICK PANEL)         |
| IK1  | 36       | FRONT DOOR RH WIRE AND COWL WIRE (RIGHT KICK PANEL)        |

## ▽ : GROUND POINTS

| CODE | SEE PAGE | GROUND POINTS LOCATION |
|------|----------|------------------------|
| ID   | 36       | LEFT KICK PANEL        |

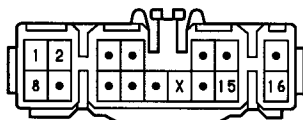
## ○ : SPLICE POINTS

| CODE | SEE PAGE | WIRE HARNESS WITH SPLICE POINTS | CODE | SEE PAGE | WIRE HARNESS WITH SPLICE POINTS |
|------|----------|---------------------------------|------|----------|---------------------------------|
| I 1  | 36       | COWL WIRE                       | I 5  | 36       | COWL WIRE                       |
| I 2  |          |                                 |      |          |                                 |

D 5 BLACK



D 6 GRAY



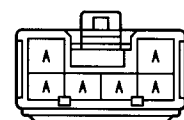
D10



J 4



J 6



P 5



P 6, P 7



P 8

