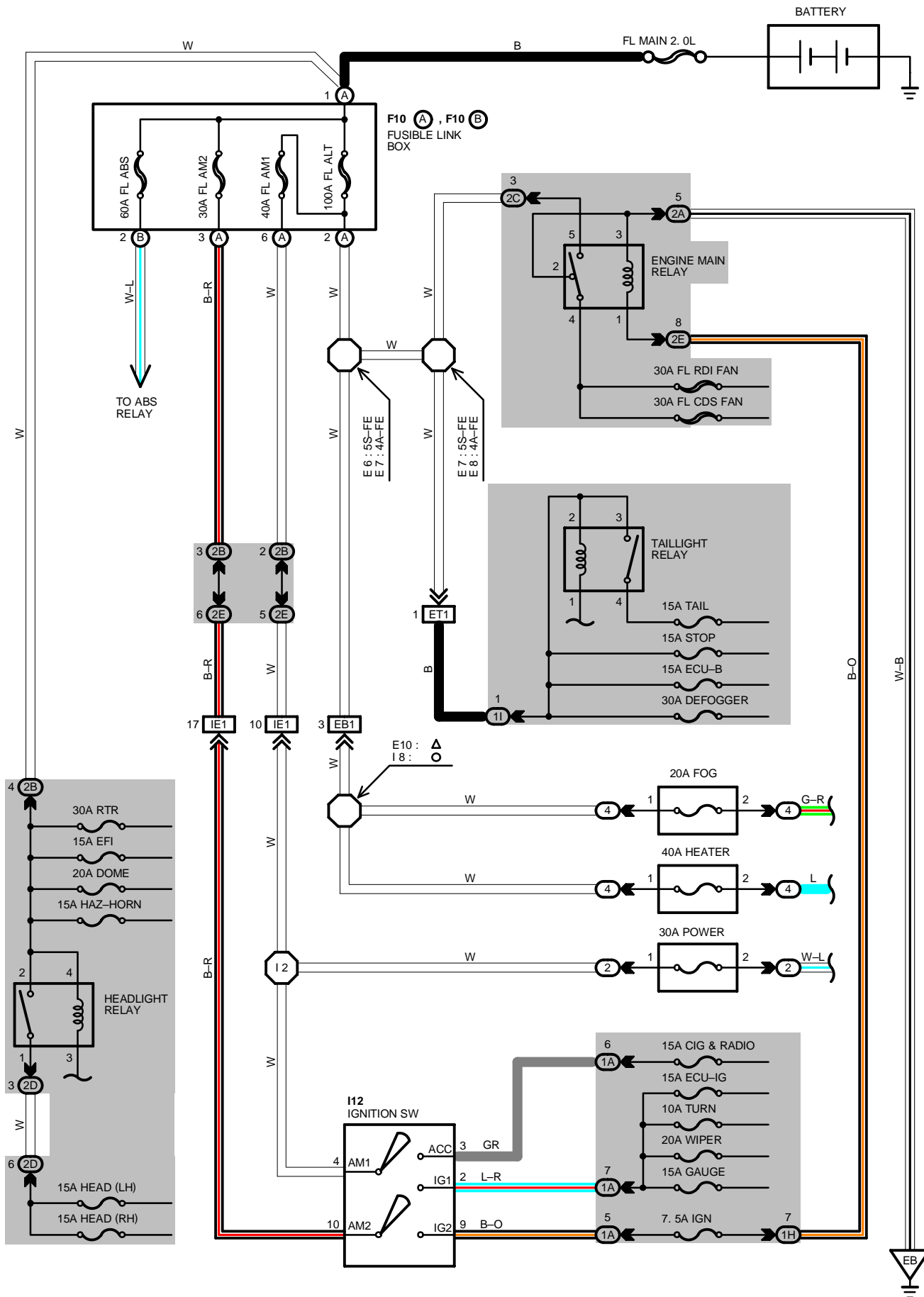


POWER SOURCE

▲ W/ CRUISE CONTROL AND ABS
 ○ EX. W/ CRUISE CONTROL AND ABS



SERVICE HINTS

TAILLIGHT RELAY

1-2 : CLOSED WITH LIGHT CONTROL SW AT **TAIL** OR **HEAD** POSITION

ENGINE MAIN RELAY

4-5 : CLOSED WITH IGNITION SW AT **ON** OR **ST** POSITION

HEADLIGHT RELAY

4-5 : CLOSED WITH LIGHT CONTROL SW AT **HEAD** POSITION OR DIMMER SW AT **FLASH** POSITION

I12 IGNITION SW

4-3 : CLOSED WITH IGNITION KEY AT **ACC** OR **ON** POSITION

9-10 : CLOSED WITH IGNITION KEY AT **ON** OR **ST** POSITION

○ : PARTS LOCATION

CODE		SEE PAGE	CODE		SEE PAGE	CODE		SEE PAGE
F10	A	26 (5S-FE), 27 (4A-FE)	F10	B	26 (5S-FE), 27 (4A-FE)	I12		29

○ : RELAY BLOCKS

CODE	SEE PAGE	RELAY BLOCKS (RELAY BLOCK LOCATION)
2	23	R/B NO. 2 (LEFT KICK PANEL)
4	24	R/B NO. 4 (RIGHT KICK PANEL)

○ : JUNCTION BLOCK AND WIRE HARNESS CONNECTOR

CODE	SEE PAGE	JUNCTION BLOCK AND WIRE HARNESS (CONNECTOR LOCATION)
1A	18	COWL WIRE AND J/B NO. 1 (LEFT KICK PANEL)
1H	18	ENGINE ROOM MAIN WIRE AND J/B NO. 1 (LEFT KICK PANEL)
1I		
2A	20	ENGINE ROOM MAIN WIRE AND J/B NO. 2 (NEAR THE BATTERY)
2B	20	ENGINE WIRE AND J/B NO. 2 (NEAR THE BATTERY)
2C		
2D		
2E	20	ENGINE ROOM MAIN WIRE AND J/B NO. 2 (NEAR THE BATTERY)

□ : CONNECTOR JOINING WIRE HARNESS AND WIRE HARNESS

CODE	SEE PAGE	JOINING WIRE HARNESS AND WIRE HARNESS (CONNECTOR LOCATION)
EB1	32 (5S-FE)	ENGINE WIRE AND COWL WIRE (REAR SIDE OF RIGHT FRONT FENDER)
	34 (4A-FE)	
ET1	32 (5S-FE)	ENGINE ROOM MAIN WIRE AND ENGINE WIRE (NEAR THE J/B NO. 2)
	34 (4A-FE)	
IE1	36	ENGINE ROOM MAIN WIRE AND COWL WIRE (LEFT KICK PANEL)

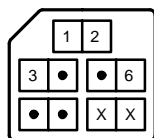
▽ : GROUND POINTS

CODE	SEE PAGE	GROUND POINTS LOCATION
EB	32 (5S-FE)	FRONT LEFT FENDER
	34 (4A-FE)	

○ : SPLICE POINTS

CODE	SEE PAGE	WIRE HARNESS WITH SPLICE POINTS	CODE	SEE PAGE	WIRE HARNESS WITH SPLICE POINTS
E 6	32 (5S-FE)	ENGINE WIRE	E 8	34 (4A-FE)	ENGINE WIRE
	34 (4A-FE)		E10	32 (5S-FE)	COWL WIRE
E 7	32 (5S-FE)			34 (4A-FE)	
	34 (4A-FE)		I 2	36	
E 8	32 (5S-FE)	ENGINE WIRE	I 8		

F10 (A) BLACK



F10 (B) BLACK



I12 BLACK

