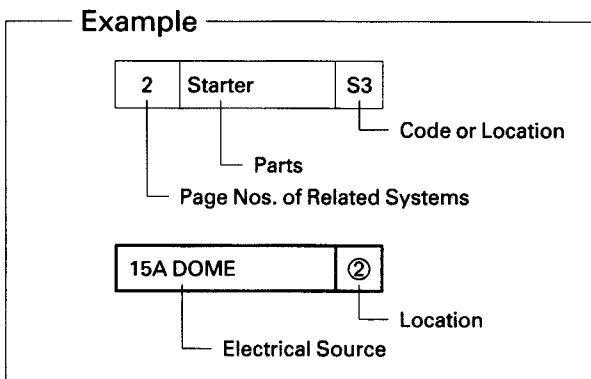
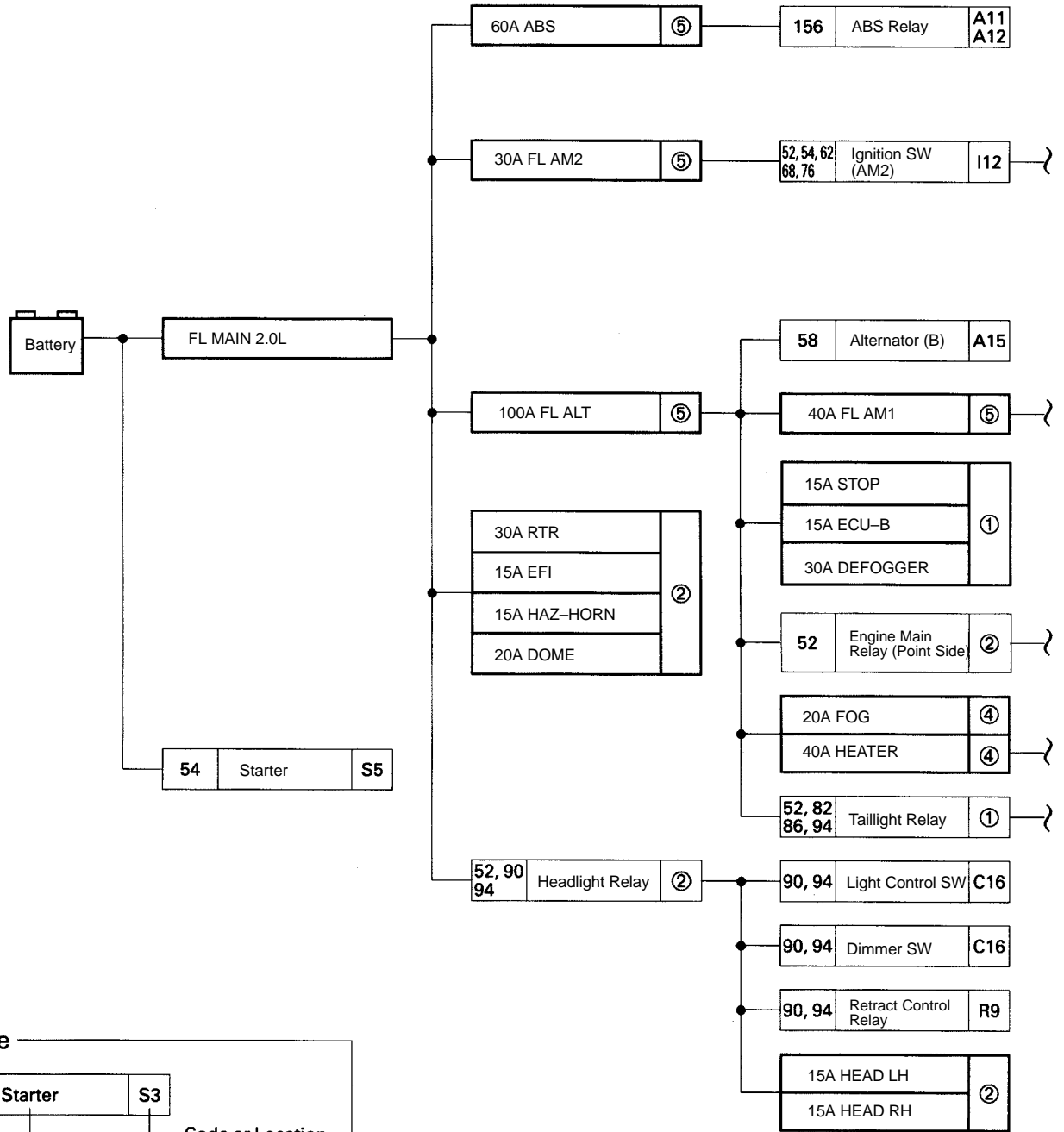


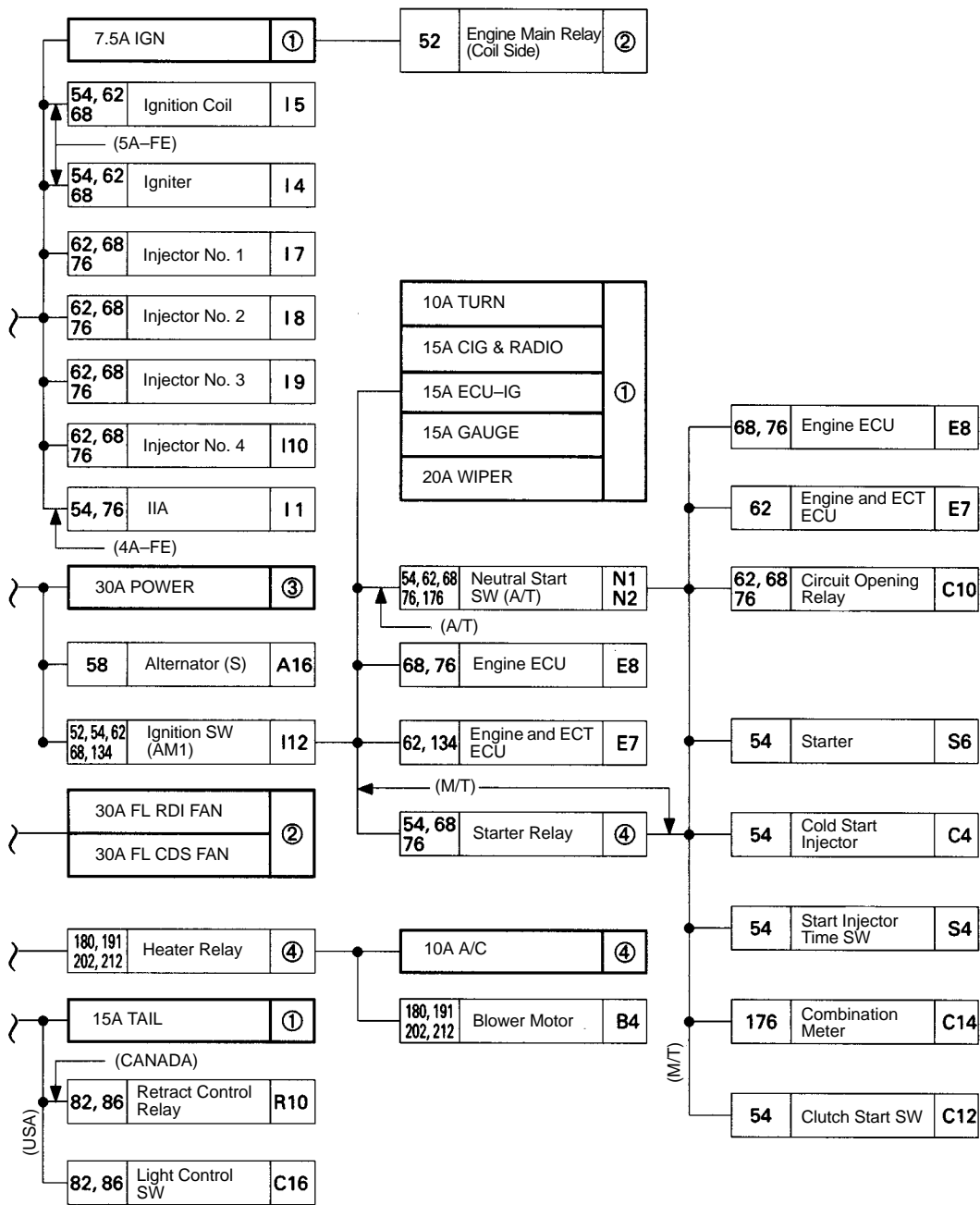
# POWER SOURCE (Current Flow Chart)

The chart below shows the route by which current flows from the battery to each electrical source (Fusible Link, Circuit Breaker, Fuse, etc.) and other parts.

The next page and following pages show the parts to which each electrical source outputs current.



[LOCATION] (1) : J/B No. 1 (See page 18) (2) : J/B No. 2 (See page 20) (3) : R/B No. 2 (See page 24)



(4) : J/B No. 4 (See page 24 )

(5) : Fusible Link Box (F10 See on page 26 )

# POWER SOURCE (Current Flow Chart)

Location	Page Nos. of Related Systems		180 191 202 212		156		58		180 191 202 212		82 180 191 202 212		180 191 202		180 191 202 212		82		180 191		140		156		168		100		
	Parts	Code or Location	A/C Condenser Fan Motor	A/C Idle-Up VSV	A/C Magnet Clutch	A/C Pressure SW	ABS Actuator	ABS Relay	Alternator	A/C Amplifier	A/C Control Assembly (w/ ECT)	A/C Control Assembly (w/o ECT)	A/C Control Assembly	A/C Power Transistor	A/C System Amplifier	Air Vent Mode Control Servo Motor	Ashtray Illumination	Auto A/C Amplifier	Auto Tilt Away ECU	ABS ECU	Auto Antenna Control Relay and Motor	Back-Up Light SW (M/T)							
CB or Fuse			A2	A3	A4	A5	A7	A11	A16	A17	A18	A19	A20	A22	A25	A30	A31	A32	A34	A36	A38	A41	B1						
①	30A	DEFOGGER																											
	20A	WIPER																											
	15A	GAUGE		●	●	●	●	●		●	●		●		●	●		●	●	●	●							●	
	7.5A	IGN				●			●																				
	15A	ECU-B																				●							
	10A	TURN																											
	15A	CIG & RADIO																	●	●							●		
	15A	TAIL										●	●					●											
	15A	ECU-IG								●													●	●					
	15A	STOP																				●							
②	15A	HEAD LH																											
	15A	HEAD RH																											
	30A	RTR																											
	15A	EFI																											
	20A	DOME																		●							●		
	15A	HAZ-HORN																											
	30A	FL RDI FAN																											
③	30A	POWER																										●	
④	20A	FOG																											
	10A	A/C		●		●				●	●	●																	
	40A	HEATER											●	●					●	●									

[LOCATION] (1) : J/B No. 1 (See page 18) (2) : J/B No. 2 (See page 20) (3) R/B No. 2 (See page 23)



# POWER SOURCE (Current Flow Chart)

Location	CB or Fuse	Parts Code or Location	Page Nos. of Related Systems																						
			118	116	144	150	144	82 124	138	108 126	108 111	104					111		82 133	74 191 212	62	68	62 133 180 202	68	
			Front Wiper and Washer SW [Comb. SW]	Rear Wiper and Washer SW [Comb. SW]	Cruise Control ECU (Motor)	Cruise Control ECU (Vacuum)	Cruise Control ECU	Defogger SW	Diode (for O/D System)	Diode (for Key Off)	Door Lock ECU	Diode (for Interior System)	Door Courtesy Light LH	Door Courtesy Light RH	Door Courtesy SW LH	Door Courtesy SW RH	Door Lock Motor LH	Door Lock Motor RH	ECT Pattern Select SW	Engine ECU	Engine and ECT ECU	Engine ECU	Engine and ECT ECU	Engine ECU	
			C17	C17	C19	C19	C20	D2	D3	D5	D6	D7	D8	D9	D10	D11	D14	D15	E4	E5	E6	E6	E7	E7	
①	30A	DEFOGGER																							
	20A	WIPER	●	●																					
	15A	GAUGE				●	●	●	●	●	●								●	●			●	●	
	7.5A	IGN																							
	15A	ECU-B																							
	10A	TURN																							
	15A	CIG & RADIO																		●				●	●
	15A	TAIL							●																
	15A	ECU-IG			●	●																			
	15A	STOP			●	●																		●	●
②	15A	HEAD LH																							
	15A	HEAD RH																							
	30A	RTR																							
	15A	EFI																		●	●	●	●	●	●
	20A	DOME										●	●	●	●	●									
	15A	HAZ-HORN																							
	30A	FL RDI FAN																							
	30A	FL CDS FAN																							
③	30A	POWER									●						●	●							
④	20A	FOG																							
	10A	A/C																							
	40A	HEATER																							

[LOCATION] (1) : J/B No. 1 (See page 18) (2) : J/B No. 2 (See page 20) (3) R/B No. 2 (See page 23)

180 191 202 212	62 133	68 74	191	94	86	86 102	118	82 92	62 68 74	82	89 92 94	155	82 102	98	62 68 133	104	180 191 202 212	86	104									
Engine ECU	Engine and ECT ECU	Engine ECU	Extra High Speed Relay	Fog Light LH	Fog Light RH	Front Side Marker Light LH	Front Side Marker Light RH	Front Turn Signal Light and Clearance Light LH	Front Turn Signal Light and Clearance Light RH	Front Wiper Motor	Fog Light SW	Fuel Pump	Glove Box Light	Glove Box Light SW	Headlight LH	Headlight RH	Horn LH	Horn RH	Hazard SW	High Mount Stop Light	ISC Valve	Ignition Key Cylinder Light	Interior Light	Junction Connector	Junction Connector (for Heater)	Licence Plate Light	Luggage Compartment Door Courtesy SW (C/P)	Luggage Compartment Light (C/P)
E7	E8	E9	F1	F2	F5	F6	F7	F8	F9	F11	F16	G1	G2	H1	H2	H3	H4	H5	H6	I3	I11	I13	J4	J5	L1	L2	L3	
●	●		●							●														●				
		●																										
							●	●											●									
					●	●	●	●		●		●	●						●							●		
										●					●	●												
	●	●								●					●	●												
											●										●							
							●	●														●						
			●																									
																											●	

(4) : R/B No. 4 (See page 24)

# POWER SOURCE (Current Flow Chart)

Location	Page Nos. of Related Systems	Parts	Code or Location	CB or Fuse	104	100	100	133	138	74	82 133 138	126	108	180 191 202 212	89	180 191 202 211	82	82 168 174	128	89 94							
					Luggage Compartment Light (L/B)	Back-Up Light SW (w/o ECT of A/T)	Back-Up Light SW (w/ ECT of A/T)	Neutral Start SW	O/D Solenoid	Oxygen Sensor (for Ex. California)	O/D Main SW	Power Seat Motor (for Lumber Support)	Power Seat Motor (for Side Support)	Power Seat SW	Power Window Master SW	Power Window Motor LH	Power Window Motor RH	Power Window SW RH	Radiator Fan Motor	Retract Motor LH	Retract Motor RH	RECIR/FRESH Control Servo Motor	Radio and Player (w/ CD Player)	Radio and Player (w/o CD Player)	Remote Control Mirror SW	Retract Control Relay	
					L4	N1	N2	O1	O6	O7	P2	P3	P4	P5	P6	P7	P8	R1	R2	R3	R4	R5	R6	R8	R9		
①	30A	DEFOGGER																									
	20A	WIPER																									
	15A	GAUGE		●	●	●	●			●											●						
	7.5A	IGN																									
	15A	ECU-B																									
	10A	TURN																									
	15A	CIG & RADIO																					●	●			
	15A	TAIL									●											●	●				
	15A	ECU-IG																									
	15A	STOP																									
②	15A	HEAD LH																									
	15A	HEAD RH																									
	30A	RTR																	●	●					●		
	15A	EFI							●																		
	20A	DOME		●																			●				
	15A	HAZ-HORN																									
	30A	FL RDI FAN																	●								
30A	FL CDS FAN																	●									
③	30A	POWER									●	●	●	●	●	●	●										
④	20A	FOG																									
	10A	A/C																									
	40A	HEATER																									

[LOCATION] (1) : J/B No. 1 (See page 18) (2) : J/B No. 2 (See page 20) (6) R/B No. 2 (See page 23)

94	82	100	102	98	86	100	102	98	86	124	116	128	144 150	142	168 170	170	62 68 98 133	142 144 150 156	130	104	130	102	62 68	74	116 118			
Retract Control Relay (for CANADA)	Rheostat	Back-Up Light LH [Rear Comb. Light LH]	Rear Turn Signal Light LH [Rear Comb. Light LH]	Stop Light LH [Rear Comb. Light LH]	Tail and Rear Side Marker Light LH [Rear Comb. Light LH]	Back-Up Light RH [Rear Comb. Light RH]	Rear Turn Signal Light RH [Rear Comb. Light RH]	Stop Light RH [Rear Comb. Light RH]	Tail and Rear Side Marker Light RH [Rear Comb. Light RH]	Rear Window Defogger	Rear Wiper Motor and Relay	Remote Control Mirror LH	Remote Control Mirror RH	Speed Sensor (for Cruise Control System)	Shift Lock ECU	Stereo Component Amplifier (w/CD Player)	Stop Light SW	Sunroof Control Relay	Sunroof Control Relay	Personal Light [Sunroof SW]	Sunroof Motor	Turn Signal Flasher	VSV (for EGR System)	VSV (for Electrical Idle-Up System)	Washer Motor			
R10	R11	R12	R12	R12	R12	R13	R13	R13	R13	R20	R21	R22	R24	R25	R26	S1	S7	S8	S9	S10	S11	S12	S14	T2	V1	V2	W1	
										●	●	●																●
		●				●							●															
			●				●																					
	●				●									●	●			●	●									
				●				●								●	●											



# POWER SOURCE (Current Flow Chart)

Location	CB or Fuse	Page Nos. of Related Systems											
		Water Temp. SW (for OD System)	Water Temp. SW (for Fans Control)	Defogger Relay	Diode	Integration Relay	EFI Main Relay	Radiator Fan Relay No. 1	Power Main Relay	Heater Relay	Fog Light Relay	A/C Condenser Fan Relay No. 2	A/C Condenser Fan Relay No. 3
		138	180 191 202 212	124	62 68	104 106 121	62 68 74 133	180 191 202 212	108 126 130	180 191 202 212	92 94	180 191 202 212	155
		W2	W4		①		②		③	④	⑥		⑦
①	30A	DEFOGGER											
	20A	WIPER											
	15A	GAUGE	●		●		●		●	●		●	●
	7.5A	IGN		●			●	●			●		
	15A	ECU-B											
	10A	TURN					●						
	15A	CIG & RADIO					●						
	15A	TAIL					●						
	15A	ECU-IG											
	15A	STOP											
②	15A	HEAD LH									●		
	15A	HEAD RH									●		
	30A	RTR											
	15A	EFI					●						
	20A	DOME					●						
	15A	HAZ-HORN											●
	30A	FL RDI FAN						●					
	30A	FL CDS FAN									●	●	
③	30A	POWER						●					
④	20A	FOG											
	10A	A/C											
	40A	HEATER							●				

[LOCATION] (1) : J/B No. 1 (See page 18) (2) : J/B No. 2 (See page 20) (3) : R/B No. 2 (See page 23)  
 (4) : R/B No. 4 (See page 24) (6) : R/B No. 3 (See page 23) (7) : R/B No. 5 (See page 24)