

SCHEDULED SERVICES

1988 Toyota Celica

1986-89 MAINTENANCE
Toyota Maintenance & Service Intervals

Celica

* PLEASE READ THIS FIRST *

NOTE: All SERVICE SCHEDULES are listed for normal service vehicles. If vehicle is operated under severe service conditions, see SEVERE SERVICE REQUIREMENTS (PERFORM W/SERVICE SCHEDULES) for items requiring additional maintenance.

NOTE: This article contains scheduled maintenance service information. Fluid types and capacities listed with each service in this article are only those necessary to perform that scheduled service. For specifications pertaining to fluid capacities for the entire vehicle, fuse and circuit breaker identification, wheel and tire size, battery type, warranty information, or model identification refer to the MAINTENANCE INFORMATION article in this section.

CAUTIONS & WARNINGS

RADIATOR FAN & CAP

To avoid injury, stay clear of radiator fan when ignition switch is in ON position. Fan is thermostatically controlled and may come on suddenly. DO NOT loosen or remove radiator cap when cooling system is hot.

CATALYTIC CONVERTER

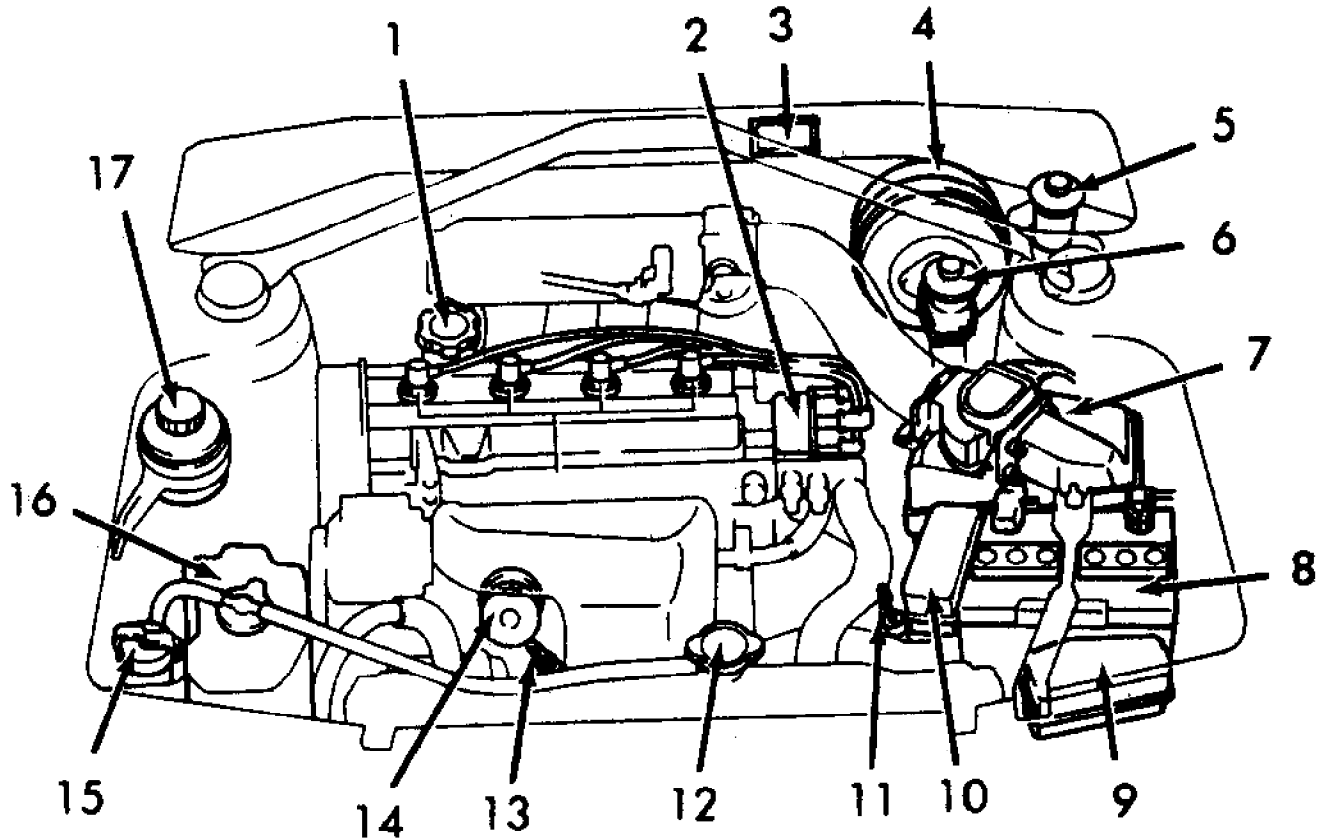
To prevent catalytic converter overheating and possibly creating a fire hazard, DO NOT allow engine to idle for more than 20 minutes. Avoid spark jump test and prolonged engine compression measurement.

SUPPLEMENTAL RESTRAINT SYSTEM (SRS) EQUIPPED VEHICLES

When servicing vehicles equipped with Supplemental Restraint System (SRS), always allow at least 20 seconds after turning ignition switch to LOCK position and disconnecting negative terminal cable before working on SRS. System has a back-up power supply and may deploy air bag.

SERVICE POINT LOCATIONS

SERVICE POINT LOCATIONS

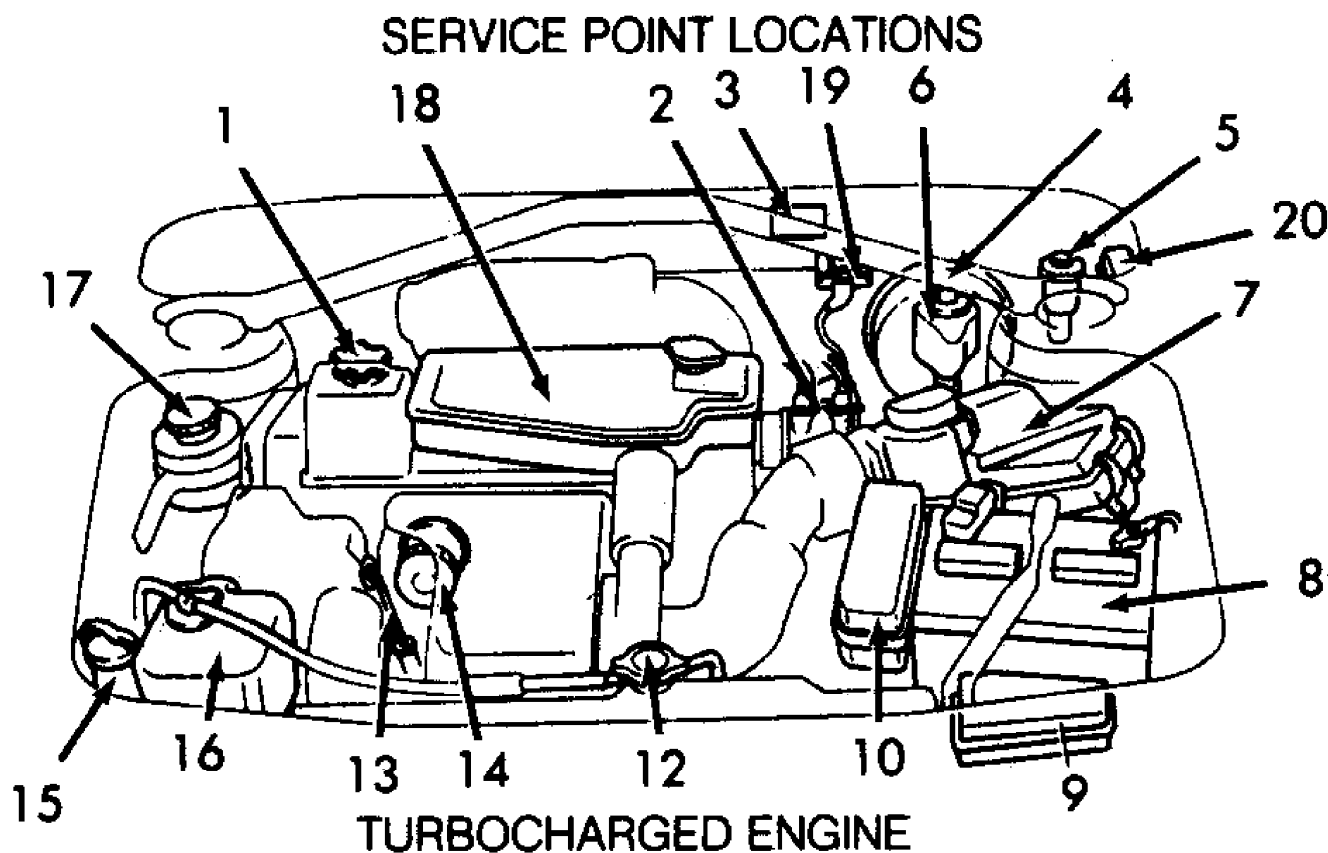


NON-TURBOCHARGED ENGINE

- | | |
|---------------------------|------------------------------------|
| 1. Engine Oil Filler Cap | 11. A/T Fluid Level Dipstick |
| 2. Distributor | 12. Radiator Cap |
| 3. Manufacturer's Plate | 13. Engine Oil Level Dipstick |
| 4. Brake Booster | 14. Engine Oil Filter |
| 5. Clutch Fluid Reservoir | 15. Washer Fluid Reservoir |
| 6. Brake Fluid Reservoir | 16. Engine Coolant Reservoir |
| 7. Air Cleaner | 17. Power Steering Fluid Reservoir |
| 8. Battery | 18. Intercooler |
| 9. Relay Block | 19. Ignition Coil |
| 10. Fuse Block | 20. Connector Box |

93J45756

Fig. 1: Service Point Locations (Non-Turbocharged Engine)
 Courtesy of Toyota Motor Sales, U.S.A., Inc.



- | | |
|---------------------------|------------------------------------|
| 1. Engine Oil Filler Cap | 11. A/T Fluid Level Dipstick |
| 2. Distributor | 12. Radiator Cap |
| 3. Manufacturer's Plate | 13. Engine Oil Level Dipstick |
| 4. Brake Booster | 14. Engine Oil Filter |
| 5. Clutch Fluid Reservoir | 15. Washer Fluid Reservoir |
| 6. Brake Fluid Reservoir | 16. Engine Coolant Reservoir |
| 7. Air Cleaner | 17. Power Steering Fluid Reservoir |
| 8. Battery | 18. Intercooler |
| 9. Relay Block | 19. Ignition Coil |
| 10. Fuse Block | 20. Connector Box |

93A45757

Fig. 2: Service Point Locations (Turbocharged Engine)
 Courtesy of Toyota Motor Sales, U.S.A., Inc.

CAMSHAFT TIMING BELT REPLACEMENT INFORMATION

CAUTION: Failure to replace a faulty camshaft timing belt may result in serious engine damage.

The condition of camshaft drive belts should always be checked on vehicles which have more than 50,000 miles. Although some

manufacturers do not recommend belt replacement at a specified mileage, others require it at 60,000-100,000 miles. A camshaft drive belt failure may cause extensive damage to internal engine components on most engines, although some designs do not allow piston-to-valve contact. These designs are often called "Free Wheeling".

Many manufacturers changed their maintenance and warranty schedules in the mid-1980's to reflect timing belt inspection and/or replacement at 50,000-60,000 miles. Most service interval schedules in this manual reflect these changes.

Belts or components should be inspected and replaced if any of the following conditions exist:

- * Cracks Or Tears In Belt Surface
- * Missing, Damaged, Cracked Or Rounded Teeth
- * Oil Contamination
- * Damaged Or Faulty Tensioners
- * Incorrect Tension Adjustment

For vehicles under severe service conditions, replace camshaft timing belt every 60,000 miles. For vehicles under normal service conditions, inspect the camshaft timing belt at 72 months or 60,000 miles, and then every 12 months or 10,000 miles thereafter.

SEVERE & NORMAL SERVICE DEFINITIONS

Service is recommended at mileage intervals based on vehicle operation. Service schedules are based on the following primary operating conditions:

Normal Service

- * Driven More Than 10 Miles Daily
- * No Operating Conditions From Severe Service Schedule

Severe Service (Unique Driving Conditions)

- * Towing A Trailer, Using A Camper Or Car Top Carrier
- * Repeated Short Trips Less Than 5 Miles When Temperatures Are Below Freezing
- * Extensive Idling Conditions (Taxi Or Delivery Type Service)
- * Operating On Dusty, Rough, Muddy Or Salt Spread Roads

SEVERE SERVICE REQUIREMENTS (PERFORM W/SERVICE SCHEDULES)

NOTE: The following services are to be performed on vehicles subjected to severe service. See SEVERE & NORMAL SERVICE DEFINITIONS. This service is to be performed in addition to the normal services listed in the NORMAL MAINTENANCE SERVICE SCHEDULES.

SEVERE SERVICE CONDITIONS/ACTIONS TABLE

Condition	Action	Item	Perform Every (1)
Towing A Trailer, Using A Camper Or Car Top Carrier	Replace	Turbo: Engine Oil	2,500 Miles or 3 Months
	Replace	Non-Turbo: Engine Oil & Filter	3,750 Miles or 6 Months
	Replace	Turbo: Engine	5,000 Miles or 6 Months

		Oil Filter	
	Replace	Transaxle Fluid	20,000 Miles or 24 Months
	Replace	Transfer Case Fluid	20,000 Miles or 24 Months
	Replace	Differential Fluid	20,000 Miles or 24 Months
Repeated Short Trips Less Than 5 Miles When Temperatures Are Below Freezing	Replace	Turbo: Engine Oil	2,500 Miles or 3 Months
	Replace	Non-Turbo: Engine Oil & Filter	3,750 Miles or 6 Months
	Replace	Turbo: Engine Oil Filter	5,000 Miles or 6 Months
	Replace	Transaxle Fluid	20,000 Miles or 24 Months
	Replace	Transfer Case Fluid	20,000 Miles or 24 Months
	Replace	Differential Fluid	20,000 Miles or 24 Months
Extensive Idling Conditions (Taxi Or Delivery Type Service)	Replace	Turbo: Engine Oil	2,500 Miles or 3 Months
	Replace	Non-Turbo: Engine Oil & Filter	3,750 Miles or 6 Months
	Replace	Turbo: Engine Oil Filter	5,000 Miles or 6 Months
	Replace	Transaxle Fluid	20,000 Miles or 24 Months
	Replace	Transfer Case Fluid	20,000 Miles or 24 Months
	Replace	Differential Fluid	20,000 Miles or 24 Months
Operating On Dusty, Rough, Muddy Or Salt Spread Roads	Replace	Turbo: Engine Oil	2,500 Miles or 3 Months
	Replace	Non-Turbo: Engine Oil & Filter	3,750 Miles or 6 Months
	Replace	Turbo: Engine Oil Filter	5,000 Miles or 6 Months
	Replace	Transaxle Fluid	20,000 Miles or 24 Months
	Replace	Transfer	20,000 Miles or 24 Months

	Case Fluid	
Replace	Differential Fluid	20,000 Miles or 24 Months
(1) - Perform these services at the mileage or number of months (since the last time), whichever comes first.		

NORMAL MAINTENANCE SERVICE SCHEDULES

The following service schedules refer to vehicles driven under normal operating conditions. For vehicles driven under severe conditions, additional services may be necessary. See SEVERE SERVICE REQUIREMENTS (PERFORM W/SERVICE SCHEDULES) above in this article for additional service requirements.

10,000 MILE (16,000 KM) SERVICE

10,000 MILE (16,000 KM) SERVICE

Service Or Inspect	
	Adjust Idle Speed
	Change Engine Oil
	Change Oil Filter
Lubrication Specifications	
Application	Specification
Engine Oil	
Minimum Temperature	
Greater Than 0° F (-18°C)	SAE 10W-30 API/SF Or SG
Less Than 0° F (-18°C)	SAE 5W-30 API/SF Or SG
Fluid Capacities	
Application	Quantity
Engine Oil	
1986 2S-E & 1987-89 3S-FE	(1) 4.1-4.3 Qts. (3.9-4.1L)
1986 3S-E & 1987-89 3S-GE	(1) 4.1 Qts. (3.9L)
1988-89 3S-GTE	(1) 3.8 Qts. (3.6L)
(1) - Including filter change.	

20,000 MILE (32,000 KM) SERVICE

20,000 MILE (32,000 KM) SERVICE

Service Or Inspect	
	Verify Last Major Service Was Performed
	Brake Lining & Drums

Brake Pads & Discs
Brake Line Pipes & Hoses
Steering Linkage
Drive Shaft Boots
Ball Joints & Dust Covers
Transaxle, Transfer Case & Differential Fluid
Steering Gear Housing

Replace

Engine Oil & Filter

Lubrication Specifications

Application	Specification
Automatic Transaxle	Dexron-II ATF
Differential	Dexron-II ATF
Engine Oil	
Minimum Temperature	
Greater Than 0° F (-18°C)	SAE 10W-30 API/SF Or SG
Less Than 0° F (-18°C)	SAE 5W-30 API/SF Or SG
Manual Transaxle	
3S-GTE Engines	SAE 75W-90 Or 80W-90 API GL-5
3S-FE, 3S-GE & 2S-E Engines	Dexron-II ATF
Rear Differential (4WD)	
Minimum Temperature	
Greater Than 0° F (-18°C)	SAE 90 API GL-5
Less Than 0° F (-18°C)	SAE 80W Or 80W-90 API GL-5

Fluid Capacities

Application	Quantity
Automatic Transaxle	
1986-87	2.5 Qts (2.4L)
1988-89 (Electronic & Conventional)	2.6 Qts (2.5L)
Engine Oil	
1986 2S-E & 1987-89 3S-FE	(1) 4.1-4.3 Qts. (3.9-4.1L)
1986 3S-E & 1987-89 3S-GE	(1) 4.1 Qts. (3.9L)
1988-89 3S-GTE	(1) 3.8 Qts. (3.6L)
Manual Transaxle	
1986-87	2.7 Qts. (2.6L)
1988-89 3S-FE & 3S-GE	2.7 Qts. (2.6L)
1988-89 3S-GTE	5.1 Qts. (4.8L)
(1) - Including filter change.	

Service Labor Times

Application	Hours
2.0L 2S-FE EFI	1.5
2.0L 3S-GE EFI	1.6
2.0L 3S-FE EFI	1.5
2.0L Turbo 3S-GTE	1.6

30,000 MILE (48,000 KM) SERVICE

30,000 MILE (48,000 KM) SERVICE

Service Or Inspect	
	Verify Last Major Service Was Performed
	Exhaust Pipes & Mountings
	Idle Speed
	Fuel Line & Connections
Replace	
	Engine Oil & Filter
	Air Filter
	Spark Plugs (2S-E & 3S-GE Engines)
Lubrication Specifications	
Application	Specification
Engine Oil	
Minimum Temperature	
Greater Than 0° F (-18°C)	SAE 10W-30 API/SF Or SG
Less Than 0° F (-18°C)	SAE 5W-30 API/SF Or SG
Fluid Capacities	
Application	Quantity
Engine Oil	
1986 2S-E & 1987-89 3S-FE	(1) 4.1-4.3 Qts. (3.9-4.1L)
1986 3S-E & 1987-89 3S-GE	(1) 4.1 Qts. (3.9L)
1988-89 3S-GTE	(1) 3.8 Qts. (3.6L)
(1) - Including filter change.	
Service Labor Times	
Application	Hours
2.0L 2S-FE EFI	1.0
2.0L 3S-GE EFI	.8
2.0L 3S-FE EFI	1.0
2.0L Turbo 3S-GTE	.8

40,000 MILE (64,000 KM) SERVICE

40,000 MILE (64,000 KM) SERVICE

Service Or Inspect	
	Verify Last Major Service Was Performed
	Adjust Idle Speed

Change Engine Oil	
Change Oil Filter	
Lubrication Specifications	
Application	Specification
Engine Oil	
Minimum Temperature	
Greater Than 0° F (-18°C)	SAE 10W-30 API/SF Or SG
Less Than 0° F (-18°C)	SAE 5W-30 API/SF Or SG
Fluid Capacities	
Application	Quantity
Engine Oil	
1986 2S-E & 1987-89 3S-FE	(1) 4.1-4.3 Qts. (3.9-4.1L)
1986 3S-E & 1987-89 3S-GE	(1) 4.1 Qts. (3.9L)
1988-89 3S-GTE	(1) 3.8 Qts. (3.6L)
(1) - Including filter change.	

50,000 MILE (80,000 KM) SERVICE

50,000 MILE (80,000 KM) SERVICE

Service Or Inspect	
Verify Last Major Service Was Performed	
Brake Lining & Drums	
Brake Pads & Discs	
Brake Line Pipes & Hoses	
Steering Linkage	
Drive Shaft Boots	
Ball Joints & Dust Covers	
Transaxle, Transfer Case & Differential Fluid	
Steering Gear Housing	
Replace	
Engine Oil & Filter	
Lubrication Specifications	
Application	Specification
Automatic Transaxle	Dexron-II ATF
Differential	Dexron-II ATF
Engine Oil	
Minimum Temperature	

Greater Than 0° F (-18°C)	SAE 10W-30 API/SF Or SG
Less Than 0° F (-18°C)	SAE 5W-30 API/SF Or SG
Manual Transaxle	
3S-GTE Engines	SAE 75W-90 Or 80W-90 API GL-5
3S-FE, 3S-GE & 2S-E Engines	Dexron-II ATF
Rear Differential (4WD)	
Minimum Temperature	
Greater Than 0° F (-18°C)	SAE 90 API GL-5
Less Than 0° F (-18°C)	SAE 80W Or 80W-90 API GL-5

Fluid Capacities

Application	Quantity
Automatic Transaxle	
1986-87	2.5 Qts (2.4L)
1988-89 (Electronic & Conventional)	2.6 Qts (2.5L)
Engine Oil	
1986 2S-E & 1987-89 3S-FE (1)	4.1-4.3 Qts. (3.9-4.1L)
1986 3S-E & 1987-89 3S-GE (1)	4.1 Qts. (3.9L)
1988-89 3S-GTE (1)	3.8 Qts. (3.6L)
Manual Transaxle	
1986-87	2.7 Qts. (2.6L)
1988-89 3S-FE & 3S-GE	2.7 Qts. (2.6L)
1988-89 3S-GTE	5.1 Qts. (4.8L)

(1) - Including filter change.

60,000 MILE (96,000 KM) SERVICE

60,000 MILE (96,000 KM) SERVICE

Service Or Inspect
Verify Last Major Service Was Performed
Valve Clearance
Drive Belts
Exhaust Pipes & Mountings
Idle Speed
Fuel Line & Connections
Charcoal Canister
Brake Lining & Drums
Brake Pads & Discs
Brake Line Pipes & Hoses
Steering Linkage
Drive Shaft Boots
Ball Joints & Dust Covers
Transaxle, Transfer Case & Differential Fluid

Steering Gear Housing	
Camshaft Timing Belt (Normal Service)	
Replace	
Engine Oil & Filter	
Engine & Intercooler Coolant	
Air Filter	
Fuel Tank Cap Gasket	
Camshaft Timing Belt (Severe Service)	
Spark Plugs	
Lubrication Specifications	
Application	Specification
Automatic Transaxle	Dexron-II ATF
Differential	Dexron-II ATF
Engine Oil	
Minimum Temperature	
Greater Than 0° F (-18°C)	SAE 10W-30 API/SF Or SG
Less Than 0° F (-18°C)	SAE 5W-30 API/SF Or SG
Manual Transaxle	
3S-GTE Engines	SAE 75W-90 Or 80W-90 API GL-5
3S-FE, 3S-GE & 2S-E Engines	Dexron-II ATF
Rear Differential (4WD)	
Minimum Temperature	
Greater Than 0° F (-18°C)	SAE 90 API GL-5
Less Than 0° F (-18°C)	SAE 80W Or 80W-90 API GL-5
Fluid Capacities	
Application	Quantity
Automatic Transaxle	
1986-87	2.5 Qts (2.4L)
1988-89 (Electronic & Conventional)	2.6 Qts (2.5L)
Cooling System	
1986 & 1987 3S-GE	7.4 Qts. (7.0L)
1987-89 3S-FE & 1988-89 3S-GE	
With Manual Transaxle	6.6-6.8 Qts. (6.2-6.4L)
With Automatic Transaxle	6.4-6.7 Qts. (6.1-6.3L)
1988-89 3S-GTE	6.8 Qts (6.4L)
Engine Oil	
1986 2S-E & 1987-89 3S-FE	(1) 4.1-4.3 Qts. (3.9-4.1L)
1986 3S-E & 1987-89 3S-GE	(1) 4.1 Qts. (3.9L)
1988-89 3S-GTE	(1) 3.8 Qts. (3.6L)
Manual Transaxle	
1986-87	2.7 Qts. (2.6L)
1988-89 3S-FE & 3S-GE	2.7 Qts. (2.6L)
1988-89 3S-GTE	5.1 Qts. (4.8L)
(1) - Including filter change.	
Service Labor Times	

Application	Hours
2.0L 2S-FE EFI	(1) 3.7
2.0L 3S-GE EFI	(2) 4.9
2.0L 3S-FE EFI	(3) 4.9
2.0L Turbo 3S-GTE	(2) 6.0
(1) - Add 2.3 hrs. to replace camshaft timing belt.	
(2) - Add 2.1 hrs. to replace camshaft timing belt.	
(3) - Add 1.9 hrs. to replace camshaft timing belt.	

70,000 MILE (112,000 KM) SERVICE

70,000 MILE (112,000 KM) SERVICE

Service Or Inspect	
	Adjust Idle Speed
	Change Engine Oil
	Change Oil Filter
	Camshaft Timing Belt
Lubrication Specifications	
Application	Specification
Engine Oil	
Minimum Temperature	
Greater Than 0° F (-18°C)	SAE 10W-30 API/SF Or SG
Less Than 0° F (-18°C)	SAE 5W-30 API/SF Or SG
Fluid Capacities	
Application	Quantity
Engine Oil	
1986 2S-E & 1987-89 3S-FE	(1) 4.1-4.3 Qts. (3.9-4.1L)
1986 3S-E & 1987-89 3S-GE	(1) 4.1 Qts. (3.9L)
1988-89 3S-GTE	(1) 3.8 Qts. (3.6L)
(1) - Including filter change.	

80,000 MILE (128,000 KM) SERVICE

80,000 MILE (128,000 KM) SERVICE

Service Or Inspect	
	Verify Last Major Service Was Performed
	Brake Lining & Drums
	Brake Pads & Discs
	Brake Line Pipes & Hoses
	Steering Linkage

Drive Shaft Boots	
Ball Joints & Dust Covers	
Transaxle, Transfer Case & Differential Fluid	
Steering Gear Housing	
Camshaft Timing Belt	
Replace	
Engine Oil & Filter	
Lubrication Specifications	
Application	Specification
Automatic Transaxle	Dexron-II ATF
Differential	Dexron-II ATF
Engine Oil	
Minimum Temperature	
Greater Than 0° F (-18°C)	SAE 10W-30 API/SF Or SG
Less Than 0° F (-18°C)	SAE 5W-30 API/SF Or SG
Manual Transaxle	
3S-GTE Engines	SAE 75W-90 Or 80W-90 API GL-5
3S-FE, 3S-GE & 2S-E Engines	Dexron-II ATF
Rear Differential (4WD)	
Minimum Temperature	
Greater Than 0° F (-18°C)	SAE 90 API GL-5
Less Than 0° F (-18°C)	SAE 80W Or 80W-90 API GL-5
Fluid Capacities	
Application	Quantity
Automatic Transaxle	
1986-87	2.5 Qts (2.4L)
1988-89 (Electronic & Conventional)	2.6 Qts (2.5L)
Engine Oil	
1986 2S-E & 1987-89 3S-FE	(1) 4.1-4.3 Qts. (3.9-4.1L)
1986 3S-E & 1987-89 3S-GE	(1) 4.1 Qts. (3.9L)
1988-89 3S-GTE	(1) 3.8 Qts. (3.6L)
Manual Transaxle	
1986-87	2.7 Qts. (2.6L)
1988-89 3S-FE & 3S-GE	2.7 Qts. (2.6L)
1988-89 3S-GTE	5.1 Qts. (4.8L)
(1) - Including filter change.	
Service Labor Times	
Application	Hours
2.0L 2S-FE EFI	(1) 1.5
2.0L 3S-GE EFI	(2) 1.6
2.0L 3S-FE EFI	(3) 1.5
2.0L Turbo 3S-GTE	(2) 1.6
(1) - Add 2.3 hrs. to replace camshaft timing belt.	
(2) - Add 2.1 hrs. to replace camshaft timing belt.	
(3) - Add 1.9 hrs. to replace camshaft timing belt.	

90,000 MILE (144,000 KM) SERVICE

90,000 MILE (144,000 KM) SERVICE

Service Or Inspect	
	Verify Last Major Service Was Performed
	Exhaust Pipes & Mountings
	Idle Speed
	Fuel Line & Connections
	Camshaft Timing Belt
Replace	
	Engine Oil & Filter
	Air Filter
	Spark Plugs (2S-E & 3S-GE Engines)
Lubrication Specifications	
Application	Specification
Engine Oil	
Minimum Temperature	
Greater Than 0° F (-18°C)	SAE 10W-30 API/SF Or SG
Less Than 0° F (-18°C)	SAE 5W-30 API/SF Or SG
Fluid Capacities	
Application	Quantity
Engine Oil	
1986 2S-E & 1987-89 3S-FE	(1) 4.1-4.3 Qts. (3.9-4.1L)
1986 3S-E & 1987-89 3S-GE	(1) 4.1 Qts. (3.9L)
1988-89 3S-GTE	(1) 3.8 Qts. (3.6L)
(1) - Including filter change.	
Service Labor Times	
Application	Hours
2.0L 2S-FE EFI	(1) 1.0
2.0L 3S-GE EFI	(2) .8
2.0L 3S-FE EFI	(3) 1.0
2.0L Turbo 3S-GTE	(2) .8
(1) - Add 2.3 hrs. to replace camshaft timing belt.	
(2) - Add 2.1 hrs. to replace camshaft timing belt.	
(3) - Add 1.9 hrs. to replace camshaft timing belt.	

100,000 MILE (160,000 KM) SERVICE

100,000 MILE (160,000 KM) SERVICE

Service Or Inspect	
	Verify Last Major Service Was Performed
	Adjust Idle Speed
	Change Engine Oil
	Change Oil Filter
	Camshaft Timing Belt
Lubrication Specifications	
Application	Specification
Engine Oil	
Minimum Temperature	
Greater Than 0° F (-18°C)	SAE 10W-30 API/SF Or SG
Less Than 0° F (-18°C)	SAE 5W-30 API/SF Or SG
Fluid Capacities	
Application	Quantity
Engine Oil	
1986 2S-E & 1987-89 3S-FE	(1) 4.1-4.3 Qts. (3.9-4.1L)
1986 3S-E & 1987-89 3S-GE	(1) 4.1 Qts. (3.9L)
1988-89 3S-GTE	(1) 3.8 Qts. (3.6L)
(1) - Including filter change.	

110,000 MILE (176,000 KM) SERVICE

110,000 MILE (176,000 KM) SERVICE

Service Or Inspect	
	Verify Last Major Service Was Performed
	Brake Lining & Drums
	Brake Pads & Discs
	Brake Line Pipes & Hoses
	Steering Linkage
	Drive Shaft Boots
	Ball Joints & Dust Covers
	Transaxle, Transfer Case & Differential Fluid
	Steering Gear Housing
	Camshaft Timing Belt
Replace	

Engine Oil & Filter	
Lubrication Specifications	
Application	Specification
Automatic Transaxle	Dexron-II ATF
Differential	Dexron-II ATF
Engine Oil	
Minimum Temperature	
Greater Than 0° F (-18°C)	SAE 10W-30 API/SF Or SG
Less Than 0° F (-18°C)	SAE 5W-30 API/SF Or SG
Manual Transaxle	
3S-GTE Engines	SAE 75W-90 Or 80W-90 API GL-5
3S-FE, 3S-GE & 2S-E Engines	Dexron-II ATF
Rear Differential (4WD)	
Minimum Temperature	
Greater Than 0° F (-18°C)	SAE 90 API GL-5
Less Than 0° F (-18°C)	SAE 80W Or 80W-90 API GL-5
Fluid Capacities	
Application	Quantity
Automatic Transaxle	
1986-87	2.5 Qts (2.4L)
1988-89 (Electronic & Conventional)	2.6 Qts (2.5L)
Engine Oil	
1986 2S-E & 1987-89 3S-FE	(1) 4.1-4.3 Qts. (3.9-4.1L)
1986 3S-E & 1987-89 3S-GE	(1) 4.1 Qts. (3.9L)
1988-89 3S-GTE	(1) 3.8 Qts. (3.6L)
Manual Transaxle	
1986-87	2.7 Qts. (2.6L)
1988-89 3S-FE & 3S-GE	2.7 Qts. (2.6L)
1988-89 3S-GTE	5.1 Qts. (4.8L)
(1) - Including filter change.	

120,000 MILE (192,000 KM) SERVICE

120,000 MILE (192,000 KM) SERVICE

Service Or Inspect	
	Verify Last Major Service Was Performed
	Valve Clearance
	Drive Belts
	Exhaust Pipes & Mountings
	Idle Speed
	Fuel Line & Connections
	Charcoal Canister
	Brake Lining & Drums

Brake Pads & Discs
Brake Line Pipes & Hoses
Steering Linkage
Drive Shaft Boots
Ball Joints & Dust Covers
Transaxle, Transfer Case & Differential Fluid
Steering Gear Housing
Camshaft Timing Belt (Normal Service)
Replace
Engine Oil & Filter
Engine & Intercooler Coolant
Air Filter
Fuel Tank Cap Gasket
Camshaft Timing Belt (Severe Service)
Spark Plugs

Lubrication Specifications

Application	Specification
Automatic Transaxle	Dexron-II ATF
Differential	Dexron-II ATF
Engine Oil	
Minimum Temperature	
Greater Than 0° F (-18°C)	SAE 10W-30 API/SF Or SG
Less Than 0° F (-18°C)	SAE 5W-30 API/SF Or SG
Manual Transaxle	
3S-GTE Engines	SAE 75W-90 Or 80W-90 API GL-5
3S-FE, 3S-GE & 2S-E Engines	Dexron-II ATF
Rear Differential (4WD)	
Minimum Temperature	
Greater Than 0° F (-18°C)	SAE 90 API GL-5
Less Than 0° F (-18°C)	SAE 80W Or 80W-90 API GL-5

Fluid Capacities

Application	Quantity
Automatic Transaxle	
1986-87	2.5 Qts (2.4L)
1988-89 (Electronic & Conventional)	2.6 Qts (2.5L)
Cooling System	
1986 & 1987 3S-GE	7.4 Qts. (7.0L)
1987-89 3S-FE & 1988-89 3S-GE	
With Manual Transaxle	6.6-6.8 Qts. (6.2-6.4L)
With Automatic Transaxle	6.4-6.7 Qts. (6.1-6.3L)
1988-89 3S-GTE	6.8 Qts (6.4L)
Engine Oil	
1986 2S-E & 1987-89 3S-FE	(1) 4.1-4.3 Qts. (3.9-4.1L)

1986 3S-E & 1987-89 3S-GE	(1)	4.1 Qts. (3.9L)
1988-89 3S-GTE	(1)	3.8 Qts. (3.6L)
Manual Transaxle		
1986-87		2.7 Qts. (2.6L)
1988-89 3S-FE & 3S-GE		2.7 Qts. (2.6L)
1988-89 3S-GTE		5.1 Qts. (4.8L)

(1) - Including filter change.

Service Labor Times

Application	Hours
2.0L 2S-FE EFI	(1) 3.7
2.0L 3S-GE EFI	(2) 4.9
2.0L 3S-FE EFI	(3) 4.9
2.0L Turbo 3S-GTE	(2) 6.0

(1) - Add 2.3 hrs. to replace camshaft timing belt.
(2) - Add 2.1 hrs. to replace camshaft timing belt.
(3) - Add 1.9 hrs. to replace camshaft timing belt.

LUBRICATION SPECIFICATIONS

LUBRICATION SPECIFICATIONS TABLE

Application	Fluid Specifications
Engine Oil	
Minimum Temperature	
Greater Than 0° F (-18°C)	SAE 10W-30 API/SF Or SG
Less Than 0° F (-18°C)	SAE 5W-30 API/SF Or SG
Brake & Clutch Fluid	FMVSS No. 116 Or DOT 3 Brake Fluid
Power Steering Fluid	Dexron-II ATF
Rear Differential (4WD)	
Minimum Temperature	
Greater Than 0° F (-18°C)	SAE 90 API GL-5
Less Than 0° F (-18°C)	SAE 80W Or 80W-90 API GL-5
Differential	Dexron-II ATF
Transaxle	
Automatic Transaxle	Dexron-II ATF
Manual Transaxle	
3S-GTE Engines	SAE 75W-90 Or 80W-90 API GL-5
3S-FE, 3S-GE & 2S-E Engines	Dexron-II ATF

FLUID CAPACITIES

FLUID CAPACITIES TABLE

Application	Quantity
1986-89 Celica	
A/C R-12 Refrigerant	24-27 Ozs.
Cooling System	
1986 & 1987 3S-GE	7.4 Qts. (7.0L)
1987-89 3S-FE & 1988-89 3S-GE	
With Manual Transaxle	6.6-6.8 Qts. (6.2-6.4L)
With Automatic Transaxle	6.4-6.7 Qts. (6.1-6.3L)
1988-89 3S-GTE	6.8 Qts (6.4L)

Engine Oil

1986 2S-E & 1987-89 3S-FE (1) 4.1-4.3 Qts. (3.9-4.1L)
1986 3S-E & 1987-89 3S-GE (1) 4.1 Qts. (3.9L)
1988-89 3S-GTE (1) 3.8 Qts. (3.6L)

Fuel Tank 15.9 Gals. (60L)

Transmission Fluid

Automatic

1986-87 2.5 Qts (2.4L)

1988-89 (Electronic & Conventional) 2.6 Qts (2.5L)

Manual

1986-87 2.7 Qts. (2.6L)

1988-89 3S-FE & 3S-GE 2.7 Qts. (2.6L)

1988-89 3S-GTE 5.1 Qts. (4.8L)

(1) - Including filter change.
