

RIDING HEIGHT ADJUSTMENT

1988 Toyota Celica

1988 WHEEL ALIGNMENT
Toyota Riding Height Specifications

All Models

ADJUSTMENT

RIDING HEIGHT

NOTE: On vehicles with electronic chassis controls, all systems should be functional before attempting ride height or wheel alignment adjustment.

Before adjusting alignment, check riding height. Riding height must be checked with vehicle on level floor and tires properly inflated. Bounce vehicle several times and allow suspension to settle.

Visually inspect vehicle for signs of abnormal height from front to rear or side to side. Check passenger and luggage compartments for extra heavy items and remove if present.

Models are tariffed in RIDING HEIGHT SPECIFICATIONS table to indicate the proper method of measuring ride height. If riding height is not within specifications listed, check, repair or replace suspension components.

NOTE: Ride height between left and right side of vehicle should vary less than 1" (25.4 mm).

RIDING HEIGHT SPECS

RIDING HEIGHT SPECIFICATIONS TABLE

Application	Front (1) In. (mm)	Rear (1) In. (mm)
Camry		
165SR13	8.5 (216)	10.2 (260)
185/70SR13	8.54 (217)	10.3 (261)
Celica	7.4 (189)	9.8 (251)
Corolla		
155SR13	7.5 (191)	10.1 (257)
175/70SR13	7.6 (192)	10.2 (258)
175/70HR13	7.2 (183)	10.2 (259)
185/60HR14	7.1 (181)	10.1 (257)
Cressida		
195/70 HR14	8.8 (224)	9.7 (246)
205/60 R15	8.6 (219)	10.4 (265)
Land Cruiser	NS	NS
MR2	8.7 (221)	8.1 (205)
Pickup		
Std. Short Bed		
7.00x14	10.6 (269)	11.7 (279)
ER78x14	10.0 (255)	11.1 (283)
Std. Long Bed		

7.00x14	10.8 (273)	11.3 (288)
ER78x14	10.2 (259)	10.8 (274)
Long Soft-Ride ...	10.2 (259)	10.8 (275)
Extra Cab			
Soft Ride	9.8 (249)	10.8 (273)
Extra Cab Std. ...	9.8 (249)	10.7 (272)
3/4 Ton	10.7 (272)	12.4 (315)
Cab & Chassis ..	10.8 (275)	11.4 (290)
SR-5 Short Bed			
P195/75R14	9.8 (248)	9.6 (243)
205/70SR14	10.0 (254)	10.9 (277)
ER78x14	10.0 (254)	10.9 (276)
SR-5 Long Bed			
P195/75R14	9.9 (253)	10.8 (273)
205/70R14	10.2 (259)	10.9 (276)
ER78x14	10.1 (257)	10.8 (275)
SR-5 Extra Cab			
P195/75R14	9.8 (249)	10.7 (271)
205/70SR14	10.0 (255)	10.8 (275)
ER78x14	9.9 (253)	10.8 (273)
Supra	8.4 (213)	9.0 (229)
Tercel			
2WD			
Sedan			
145SR13	8.0 (204)	11.3 (287)
155SR13	8.2 (208)	11.5 (292)
165/70SR13	8.0 (204)	11.3 (287)
Station Wagon ..	8.1 (207)	12.1 (309)
4WD			
155SR13	9.2 (234)	10.7 (273)
175/70SR13	9.3 (235)	10.8 (274)
Van	9.6 (243)	10.5 (267)
4Runner	10.0 (255)	10.6 (269)

(1) - Chassis ground clearance.

NS - Information not supplied by manufacturer.

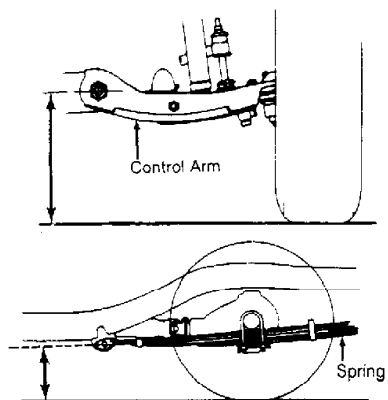


Fig. 1: Toyota Riding Height Measurement Locations
 Courtesy of Toyota Motor Sales, U.S.A., Inc.